

# Dosing pump - UNICHLOR

- Maximum Flow rate: 6 l/h
- Maximum Pressure: 5.5 kg/cm<sup>2</sup>g
- Electro Magnetically Actuated Diaphragm



## Technical characteristics

### Standard:

- Flow rate up to: 6 l/h
- Pressure up to: 5.5 kg/cm<sup>2</sup>g
- State of the art pump for chlorination.
- Manual / automatic speed control adjustable while running or stopped.
- Electronically operated Mechanically actuated diaphragm
- Electro Magnetic Drive: Less moving parts.
- Adjustment of flow rate while running or stopped: from 0 to 100%
- Accuracy:  $\pm 2\%$  of rated flow from 10% to 100% stroke
- Suction lift: up to 1.5 m water max.
- Viscosity handled: upto 40 cps.

## Characteristics of drive

### Standard Drive Data:

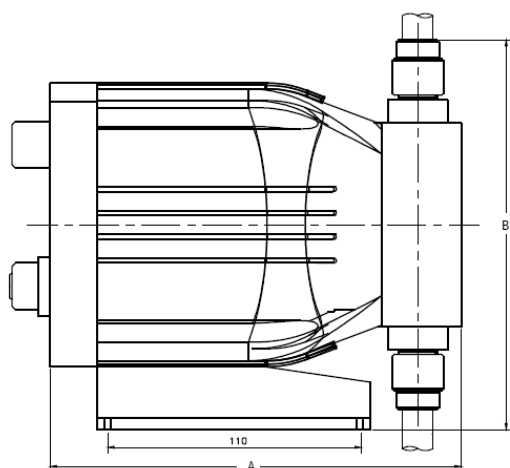
- 

Components	Materials
Liquid end body	PP
Valve body	PVC
Ring Seal	TEFLON
Balls	CERAMIC
Connections	PVC
Diaphragm	FLEXIPRENE
Foot Valve	PVC
Antisiphon valve	PVC
Tubing	LDPE

## Performances

Pump model	Flow max. (l/h)		Pressure max. (KG/CM <sup>2</sup> )	Size of Tubing (Suction & Discharge)
	Min (l/h)	Max (l/h)		
UC-11	0.04	4	5.5	3/8" x 1/4"
UC-12	0.6	6	4	3/8" x 1/4"

## Dimensions and Connections



Dimensions (mm)		
Pump model	A(Max)	B(Max)
UC-11	180	180
UC-12	180	180

## WEIGHT

Liquid End	Weight (kg)
Plastic	3

\*Any changes in this catalogue applicable without prior Information

Plot No: 45/1, 8th Avenue, Domestic Tariff Area,  
Mahindra World City, Chengalpet District,  
Chengalpet – 603004, Tamil nadu, India.  
Tel Ph. No: +91-44-71113111  
[mrisesales@miltonroy.com](mailto:mrisesales@miltonroy.com) | [www.miltonroyindia.com](http://www.miltonroyindia.com)