

Dosing pump series - V

- Maximum Flow rate: 12 l/h
- Maximum Pressure: 12 kg/cm²g
- Electro Magnetically Actuated Diaphragm



Technical characteristics

Standard:

- Flow rate up to: 12 l/h
- Pressure up to: 12 kg/cm²g
- Manual speed control adjustable while running or stopped.
- Electronically operated Mechanically actuated diaphragm
- Manual stroke length adjustable while running
- Electro Magnetic Drive: Less moving parts.
- Composite PTFE faced Hypalon Diaphragm for longer life
- Adjustment of flow rate while running or stopped: from 0 to 100%
- Accuracy: $\pm 2\%$ of rated flow from 10% to 100% stroke
- Suction lift: up to 1.5 m water max.
- Viscosity handled: upto 50 cps



Characteristics of drive

Standard Drive Data:

- Electromagnetic Power Unit (EPU) 230V, 50Hz, Single Phase A.C
- Power Consumption Approx. 40 Watts.

Liquid end construction

Components	Materials
Liquid end body	PP
Valve body	PVC
Ring Seal	TEFLON
Balls	CERAMIC
Connections	PVC
Diaphragm	TEFLON FACED HYPALON
Foot Valve	PVC
Antisyphon valve	PVC
Tubing	LDPE

#Alloy 20 available based on customer request

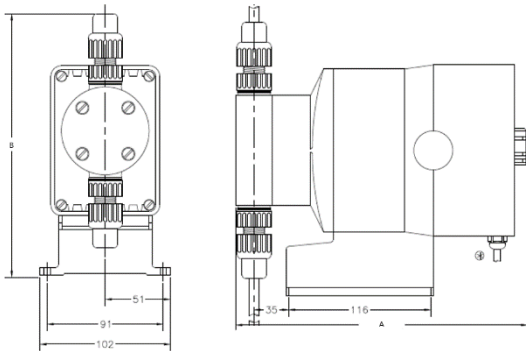
Accessories

To meet your installation needs a large range of accessories are available on request (Pulsation dampeners, safety and backpressure valves), consult us.

Performances

Pump model	Flow max. (l/h)		Pressure max. (KG/CM ²)	Size of Tubing (Suction & Discharge)
	Min (l/h)	Max (l/h)		
V-09	0.02	1	12	3/8" x 1/4"
V-10	0.04	2	10	3/8" x 1/4"
V-11	0.08	4	5.5	3/8" x 1/4"
V-12	0.12	6	3.5	3/8" x 1/4"
V-13	0.24	12	2	1/2" x 3/8"

Dimensions and Connections



Dimensions (mm)		
Pump model	A(Max)	B(Max)
V-09	235	206
V-10	235	206
V-11	235	206
V-12	235	206
V-13	235	206

WEIGHT

Liquid End	Weight (kg)
Metallic	4.5
Plastic	3.5

*Any changes in this catalogue applicable without prior Information

Plot No: 45/1, 8th Avenue, Domestic Tariff Area,
Mahindra World City, Chengalpet District,
Chengalpet – 603004, Tamil nadu, India.
Tel Ph. No: +91-44-71113111
mr-sales@miltonroy.com | www.miltonroyindia.com