

Dosing pump series PN-Z

- Maximum Flow rate: 45.2 l/h • Maximum Pressure: 150 kg/cm²g • Packed plunger pumps
- Variable eccentric drive mechanism



Technical characteristics

Standard:

- Flow rate up to: 45.2 l/h
- Pressure up to: 150 kg/cm²g
- Conforms to API 675 Standard
- Stroke adjustment by variable eccentric minimising pulsation and shock
- Lockable Micrometer Stroke Adjustment
- Maximum temperature of pumped liquid: 120 °C
- Adjustment of flow rate while running or stopped: from 0 to 100%
- Accuracy: ± 1% of rated flow from 10% to 100% stroke
- Repeatability: ±3%, Linearity: ±3%
- Turn down ratio 10:1
- Lubrication by oil bath
- Liquid end material of construction: SS316, other MOC on request
- End connections: Threaded
- Multiplexing up to: 2 heads
- Stroke Length: 5mm
- Viscosity handled: upto 2400 cps

Options:

- Variable speed drive, Electronic capacity control/Automatic

Characteristics of motors

Standard Motor Data:

- Motor Power: 0.37kW (0.5HP)
- Power Supply: 415V – 50 Hz – 3 phase, IE2
- Degree of protection: IP 55
- Insulation: class F
- Motor Speed: 1440 rpm
- Enclosure: TEFC

Options:

- Flame/Explosion proof motors for 0.37kw motor
- Motor power: 0.37 kW (0.5HP)



Liquid end construction

Components	Materials
Liquid end body	SS 316
Plunger	SS 316
Valve body	SS 316
Balls	SS 316
Packing	PTFE braided rope

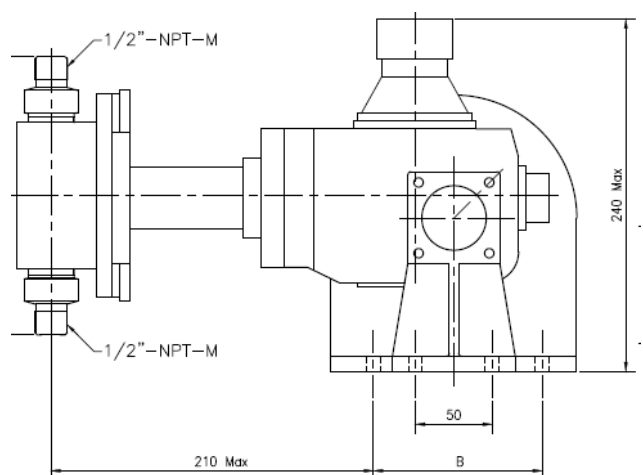
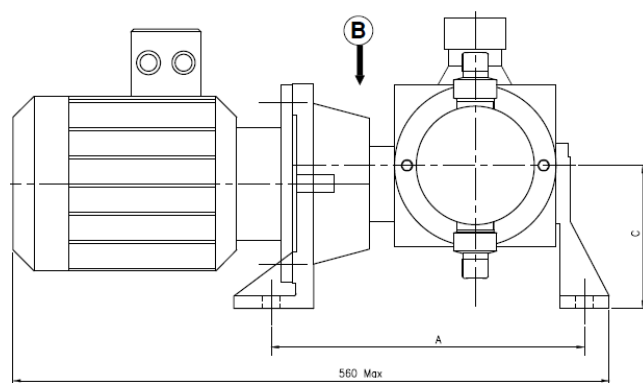
Accessories

To meet your installation needs a large range of accessories are available on request (Pulsation dampeners, safety and back pressure valves),

Performances

Dimensions and Connections

Pump model	Flow max. (l/h)	Pressure max. (kg/cm ² g)	Stroke length (mm)	Stroke speed (spm)	Plunger Ø (mm)	End Connections (Suction & Discharge)
PN-Z-6A	0.3	150	5	50	6	½"NPF (F)
PN-Z-6B	0.6	150	5	100	6	½"NPF (F)
PN-Z-6C	0.9	150	5	150	6	½"NPF (F)
PN-Z-8A	0.5	125	5	50	8	½"NPF (F)
PN-Z-8B	1.1	125	5	100	8	½"NPF (F)
PN-Z-8C	1.6	125	5	150	8	½"NPF (F)
PN-Z-10A	0.8	90	5	50	10	½"NPF (F)
PN-Z-10B	1.6	90	5	100	10	½"NPF (F)
PN-Z-10C	2.5	90	5	150	10	½"NPF (F)
PN-Z-12A	1.2	75	5	50	12	½"NPF (F)
PN-Z-12B	2.4	75	5	100	12	½"NPF (F)
PN-Z-12C	3.6	75	5	150	12	½"NPF (F)
PN-Z-16A	2.1	40	5	50	16	½"NPF (F)
PN-Z-16B	4.2	40	5	100	16	½"NPF (F)
PN-Z-16C	6.3	40	5	150	16	½"NPF (F)
PN-Z-20A	3.8	27	5	50	20	½"NPF (M)
PN-Z-20B	7.5	27	5	100	20	½"NPF (M)
PN-Z-20C	11.3	27	5	150	20	½"NPF (M)
PN-Z-25A	5.9	17	5	50	25	½"NPF (M)
PN-Z-25B	11.8	17	5	100	25	½"NPF (M)
PN-Z-25C	17.7	17	5	150	25	½"NPF (M)
PN-Z-32A	9.6	10	5	50	32	½"NPF (M)
PN-Z-32B	19.3	10	5	100	32	½"NPF (M)
PN-Z-32C	28.9	10	5	150	32	½"NPF (M)
PN-Z-40A	15.1	7	5	50	40	½"NPF (M)
PN-Z-40B	30.1	7	5	100	40	½"NPF (M)
PN-Z-40C	45.2	7	5	150	40	½"NPF (M)



Pump model	Motor Frame	A	B	C
PN 6-40	71	270	110	114.5
PN 6-40	80	290	150	134.5

Weight

Liquid End	Weight (kg)
Metallic	45

*Any changes in this catalogue applicable without prior Information

Plot No: 45/1, 8th Avenue, Domestic Tariff Area,
Mahindra World City, Chengalpet District,
Chengalpet – 603004, Tamil nadu, India.
Tel Ph. No: +91-44-71113111
mrisesales@miltonroy.com | www.miltonroyindia.com