

# Dosing pump series - A

- Maximum Flow rate: 12 l/h • Maximum Pressure: 12 kg/cm<sup>2</sup>g • Electro Magnetically Actuated Diaphragm



## Technical characteristics

### Standard:

- Flow rate up to: 12 l/h
- Pressure up to: 12 kg/cm<sup>2</sup>g
- Manual / automatic speed control adjustable while running or stopped.
- Electronically operated Mechanically actuated diaphragm
- Manual stroke length adjustable while running
- Electro Magnetic Drive: Less moving parts.
- Composite PTFE faced Hypalon Diaphragm for longer life
- Adjustment of flow rate while running or stopped: from 0 to 100%
- Accuracy: ± 2% of rated flow from 10% to 100% stroke
- Suction lift: up to 1.5 m water max.
- Viscosity handled upto 50 cps



## Characteristics of drive

### Standard Drive Data:

- Electromagnetic Power Unit (EPU) 230V, 50Hz, Single Phase A.C
- Power Consumption Approx. 40 Watts.
- "9" series are automated pumps (i.e. 4.20mA)

## Liquid end construction

Components	Materials			
	PP	PVC	PVDF	SS-316
Liquid end body	PP	PVC	PVDF	SS-316
Valve body	PVC	PVC	PVDF	SS-316
Ring Seal	TEFLON	TEFLON	TEFLON	TEFLON
Balls	CERAMIC	CERAMIC	CERAMIC	CERAMIC
Connections	PVC	PVC	PVDF	SS-316
Diaphragm	TEFLON FACED HYPALON	TEFLON FACED HYPALON	TEFLON FACED HYPALON	TEFLON FACED HYPALON
Foot Valve	PVC	PVC	N/A*	SS-316
Antisiphon valve	PVC	PVC	PVDF	SS-316
Tubing	LDPE	LDPE	LDPE	LDPE

#Alloy 20 available based on customer request

\*Online strainer shall be offered for PVDF

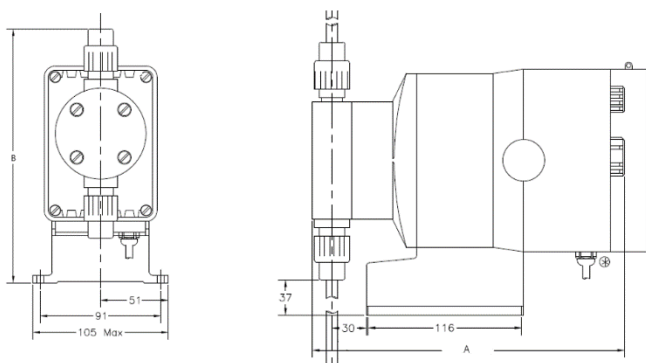
## Accessories

To meet your installation needs a large range of accessories are available on request (Pulsation dampeners, safety and backpressure valves), consult us.

## Performances

Pump model	Flow max. (l/h)		Pressure max. (KG/CM <sup>2</sup> )	Size of Tubing (Suction & Discharge)
	Min (l/h)	Max (l/h)		
A-09, A-79, A-99	0.02	1	12	3/8" x 1/4"
A-10, A-70, A-90	0.04	2	10	3/8" x 1/4"
A-11, A-71, A-91	0.08	4	5.5	3/8" x 1/4"
A-12, A-72, A-92	0.12	6	3.5	3/8" x 1/4"
A-13, A-73, A-93	0.24	12	2	1/2" x 3/8"

## Dimensions and Connections



Dimensions (mm)		
Pump model	A(Max)	B(Max)
A-09, A-79, A-99	235	206
A-10, A-70, A-90	235	206
A-11, A-71, A-91	235	206
A-12, A-72, A-92	235	206
A-13, A-73, A-93	235	206

## WEIGHT

Liquid End	Weight (kg)
Metallic	4.5
Plastic	3.5

\*Any changes in this catalogue applicable without prior Information

Plot No: 45/1, 8th Avenue, Domestic Tariff Area,  
Mahindra World City, Chengalpet District,  
Chengalpet – 603004, Tamil nadu, India.  
Tel Ph. No: +91-44-71113111  
[mr-sales@miltonroy.com](mailto:mr-sales@miltonroy.com) | [www.miltonroyindia.com](http://www.miltonroyindia.com)