



FLOMAX 8 316 SS

2" x 2" 316 SS Self-Priming Centrifugal Pump

The FLOMAX® 8 Self-Priming Centrifugal Pump, crafted from premium 316 stainless steel, is engineered to withstand demanding conditions across sectors such as agriculture, industrial operations, OEM systems, and marine environments. Its robust stainless-steel construction delivers superior corrosion resistance and durability, making it well-suited for handling abrasive or corrosive liquids.

A key advantage of the FLOMAX® 8 is its self-priming functionality. The pump can generate enough vacuum to lift fluids from depths of up to 25 feet (7.6 m). After initial priming, an integrated flapper valve retains a full liquid column in the suction line, ensuring smooth and uninterrupted performance—an essential feature for applications requiring consistent flow.

This model offers flexible drive compatibility, supporting hydraulic motors, NEMA-standard 56C and 145TC frame motors (with IEC equivalents depending on specifications), gas engines, and other options. This versatility makes it ideal for both stationary and mobile setups. Additionally, the pump is available in the PumPAK® configuration – a fully assembled, tested pump end designed for quick coupling with various drivers.

SPECIFICATIONS:

Suction / Discharge	Suction: 2" NPT ANSI 150# class flat flange with Viton flapper Discharge: 2" ANSI 4-bolt flange connection, Optional 2" NPT ANSI 150# Flange Available. PN for Optional ANSI Discharge Flange Kit: MP36607
Pump Materials	316 stainless steel
Flow	Up to 150 GPM (34 m ³ /h)
Head Feet	Up to 100' (30.5 m)
Impeller	5.0" (127 mm) max. diameter, semi-open
Motor	Up to 3 HP (2.2 kW)
Seal	Carbon/Ceramic/Viton, Special seal material combinations available (consult factory)
Drive Options	Close coupled 56C Close coupled 145TC Engine mount 5.5 HP (4.0 kW) Engine mount 6.5 HP (4.8 kW) Pedestal PumPAK® (without motor)
Options	5 blade impeller for higher flows Available 2" NPT ANSI 150# class discharge flange kit (p/n: MP36607) Hydraulic motor .37 cu. in. (6,0 cm ³) Hydraulic motor .45 cu. in. (7,4 cm ³) Hydraulic motor .58 cu. in. (9,5 cm ³)

Features

- Renewable wear plate
- Up to a 25' (7.6 m) suction lift
- ABS Type Approved

Application

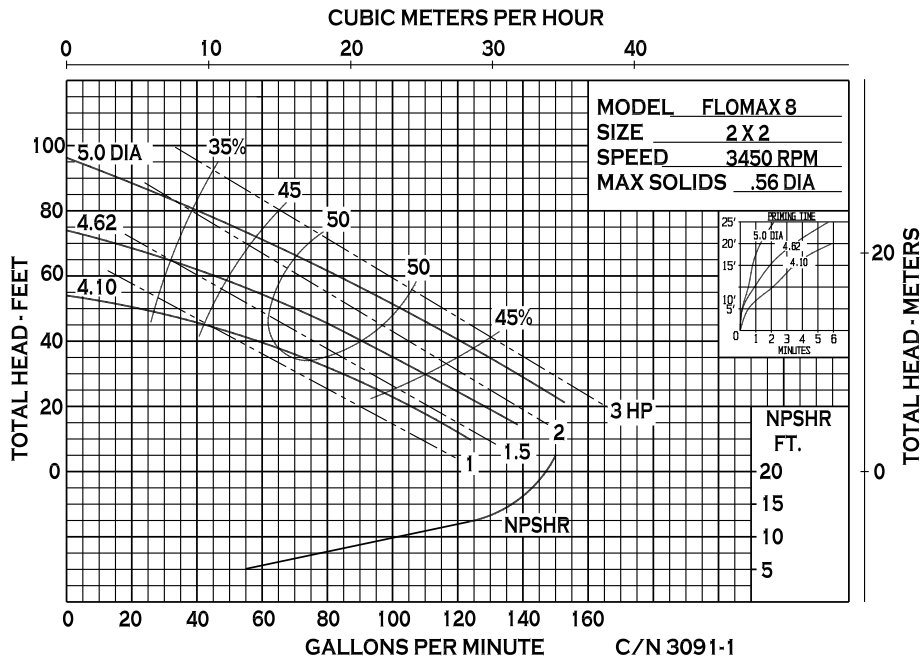
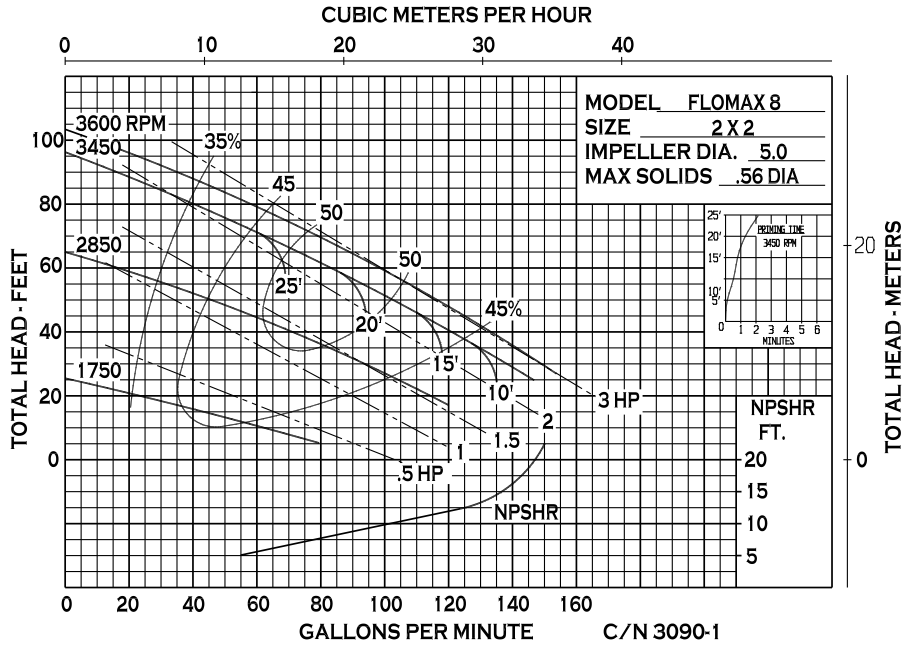
- Agricultural
- Industrial
- Marine
- OEM



An Ingersoll Rand Business

FLOMAX 8 316 SS

PERFORMANCE CURVES



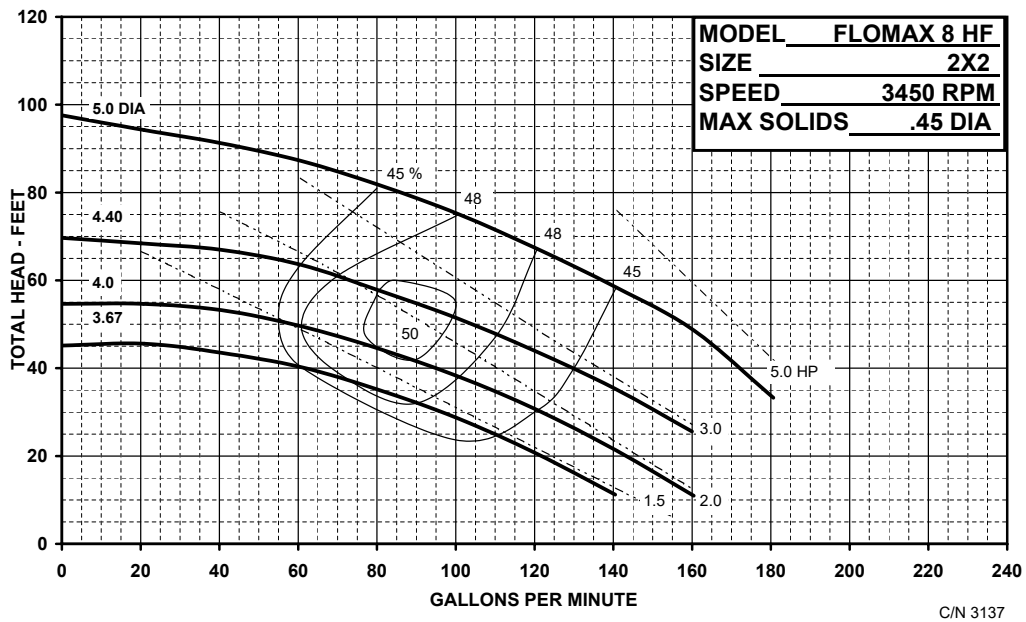
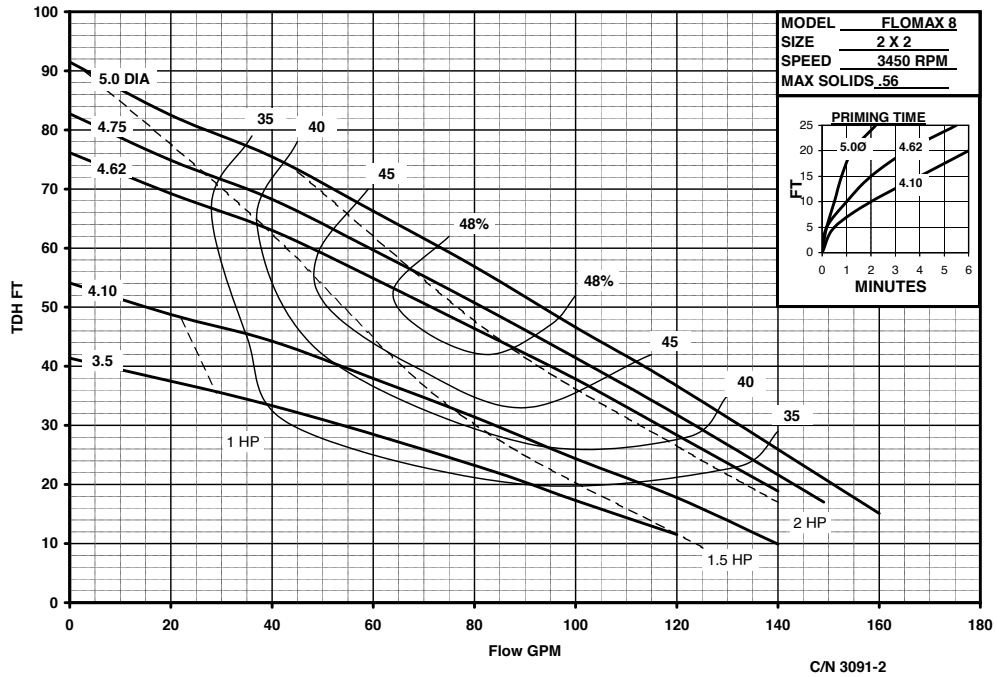
12500 South Pulaski Road
 Alsip, IL 60803, USA
 Phone (800) 563-8006



An Ingersoll Rand Business

FLOMAX 8 316 SS

PERFORMANCE CURVES



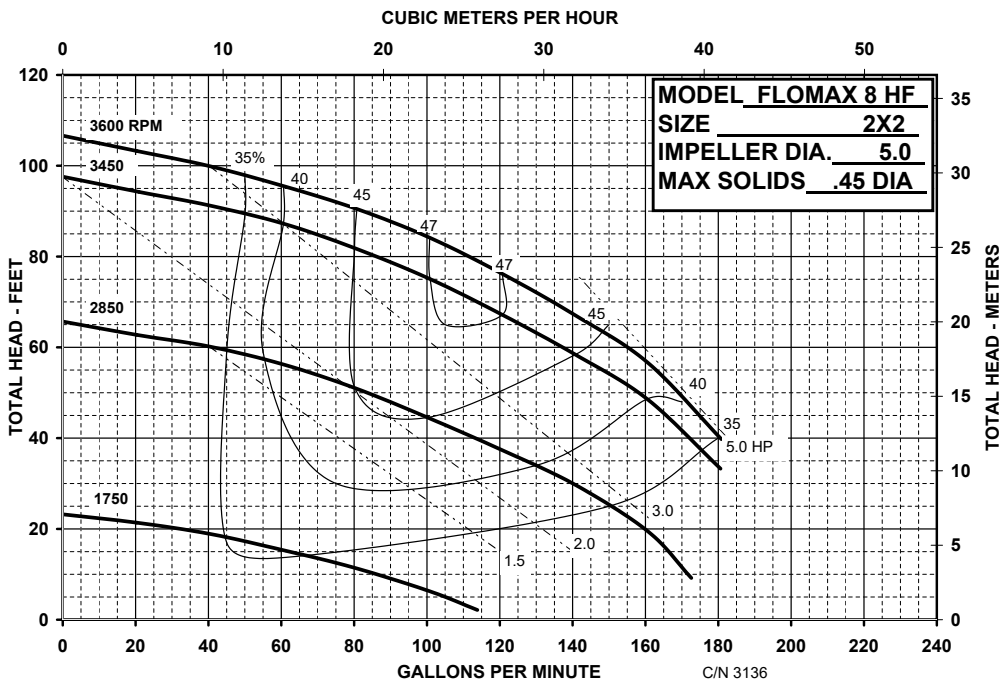
12500 South Pulaski Road
Alsip, IL 60803, USA
Phone (800) 563-8006



An Ingersoll Rand Business

FLOMAX 8 316 SS

PERFORMANCE CURVES



12500 South Pulaski Road
 Alsip, IL 60803, USA
 Phone (800) 563-8006

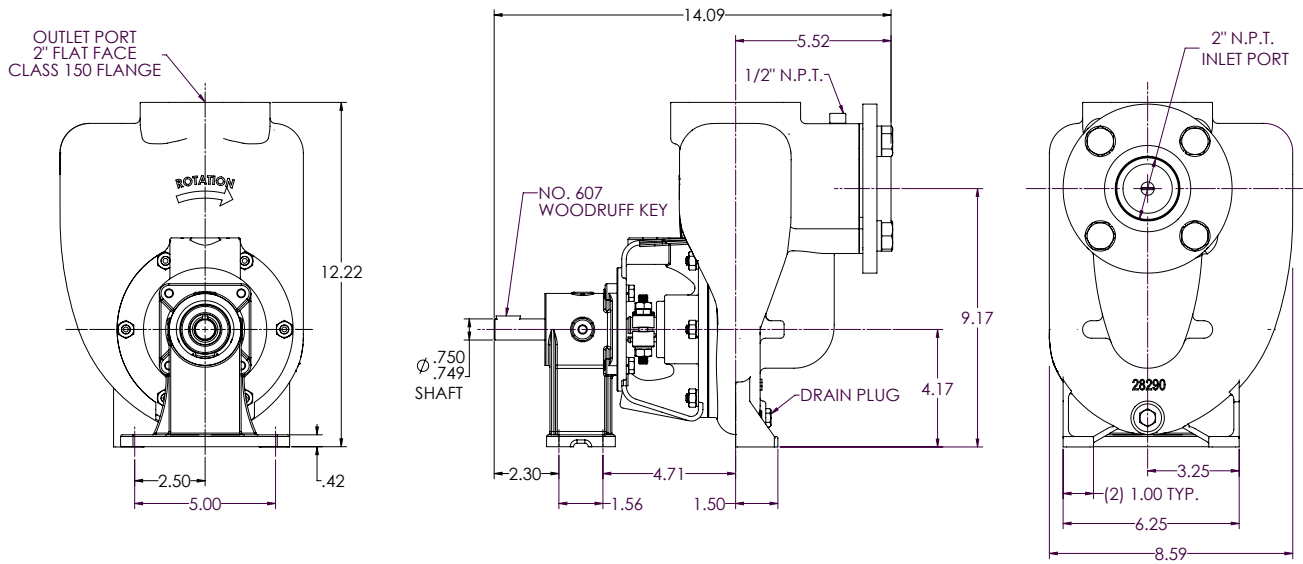


An Ingersoll Rand Business

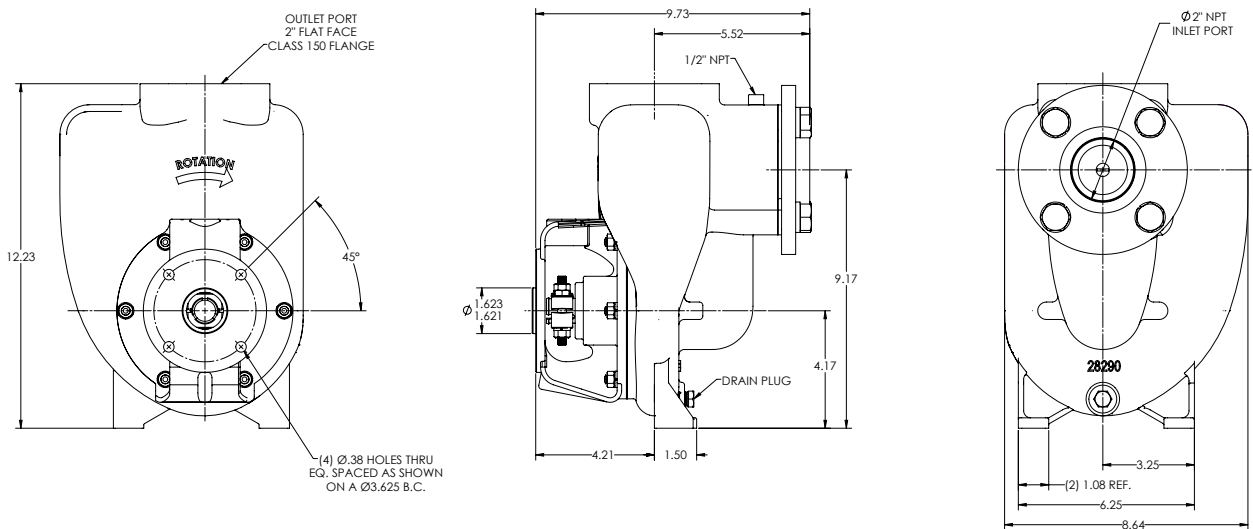
FLOMAX 8 316 SS

DIMENSIONS

FLOMAX S.S. PUMP (MP28399)



FLOMAX S.S. PUMPAK (MP28396)



* For complete parts lists and troubleshooting guidance, please refer to the MP Pumps Installation Operation & Maintenance (IOM) Manual.



12500 South Pulaski Road
Alsip, IL 60803, USA
Phone (800) 563-8006

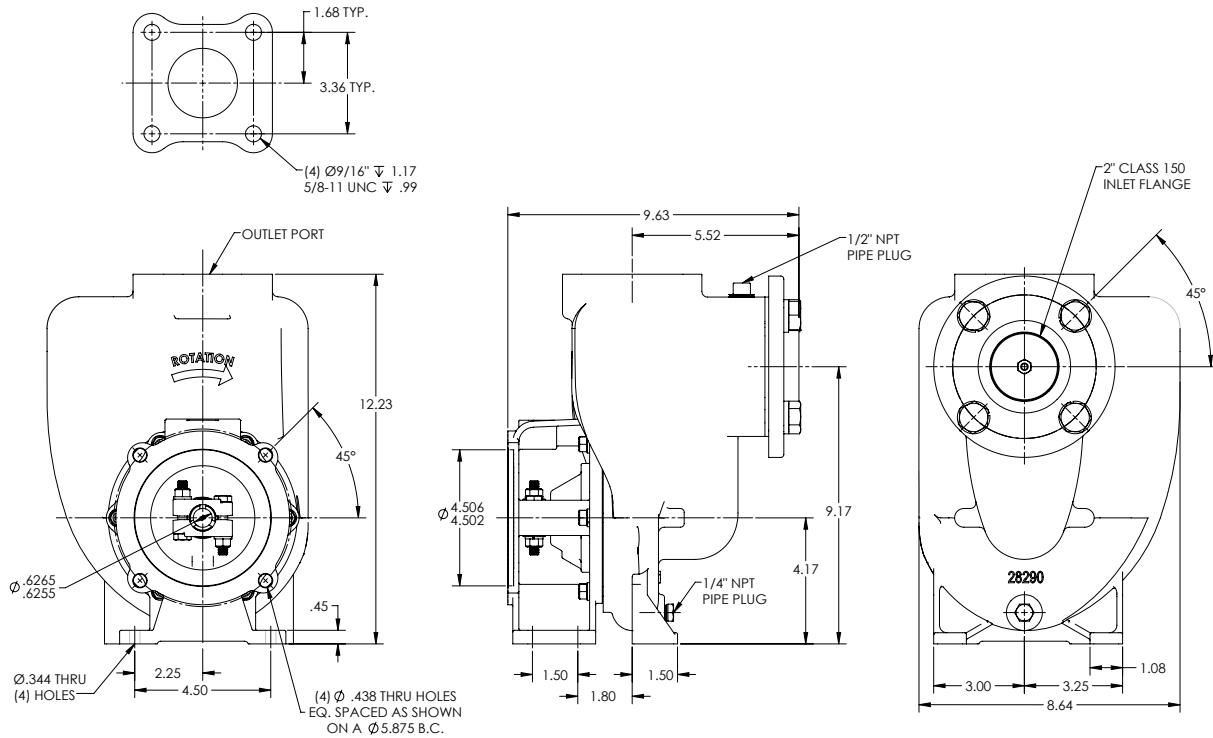


An Ingersoll Rand Business

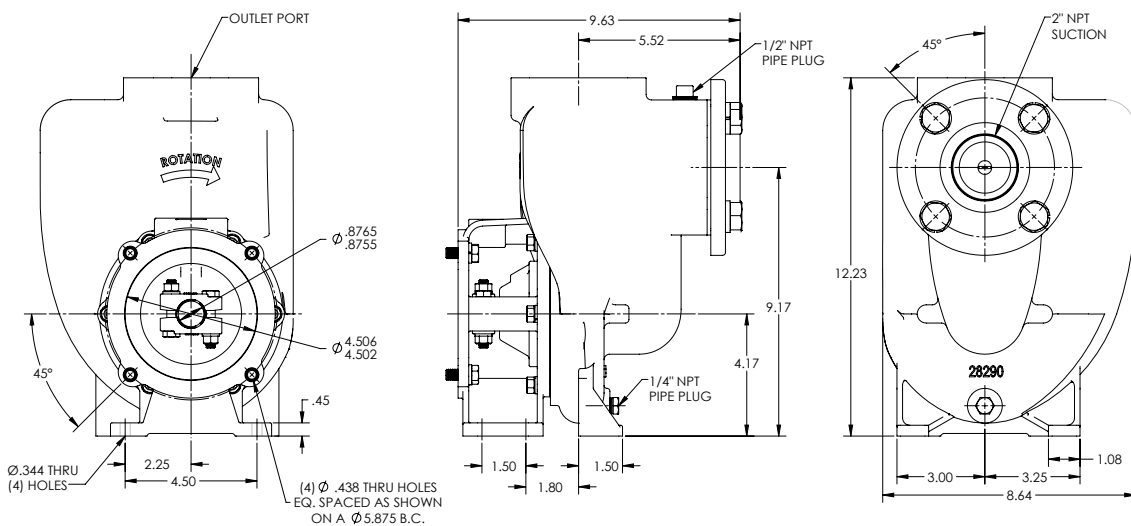
FLOMAX 8 316 SS

DIMENSIONS

FM8PPK SS:CCMTR 5/8 5.0 FA (MP28397)



FM8PPK SS:CCMTR 7/8 5.0 FA (MP28398)



* For complete parts lists and troubleshooting guidance, please refer to the MP Pumps Installation Operation & Maintenance (IOM) Manual.



12500 South Pulaski Road
Alsip, IL 60803, USA
Phone (800) 563-8006