

CHEMFLO 3 Hydraulic

2" x 1-1/2" End Suction Centrifugal Pump

Made with high quality investment cast 316 stainless steel components, the ChemFlo® series of pumps are designed to be applied in a wide range of pumping applications where stainless steel is required.

The ChemFlo® 3 hydraulic pumps utilize a semi-open impeller design to allow for passage of larger solid sizes than similar sized enclosed impellers. Several seal options are available in addition to the standard type 2100 carbon / ceramic / Viton mechanical seal.

ChemFlo® 3 hydraulic pumps are offered with .22 or .37 cubic inch (3.60 cm³ or 6.06 cm³) displacement gerotor motors for hydraulic flows up to 10 GPM (2.27 m³/h) and a maximum pressure of 2600 PSI (179 bar).

SPECIFICATIONS:

Suction / Discharge	2" x 1-1/2" NPT
Materials of Construction	316 stainless steel,
Flow	Up to 240 GPM (54.5 m ³ /h)
Head Feet	Up to 200' (61 m)
Impeller	5.25" (133.35 mm) semi-open, cast 316 stainless steel
Drive Options	Hydraulic motor .22 cu. in (3.6 cm ³) Hydraulic motor .37 cu. in. (6 cm ³)
Seal	Special seal material combinations available (consult factory), Standard carbon / ceramic / Viton
PSI / bar	Up to 105 PSI / 7.2 bar
Hydraulic System Pressure	Up to 2600 PSI (179 bar)
Hydraulic Fluid Flow	Up to 10 GPM (2.27 m ³ /h)
Hydraulic Motor	Gerotor
Options	Hydraulic motors with flow control

Application:

- Agricultural
- Commercial
- Industrial
- Marine
- OEM



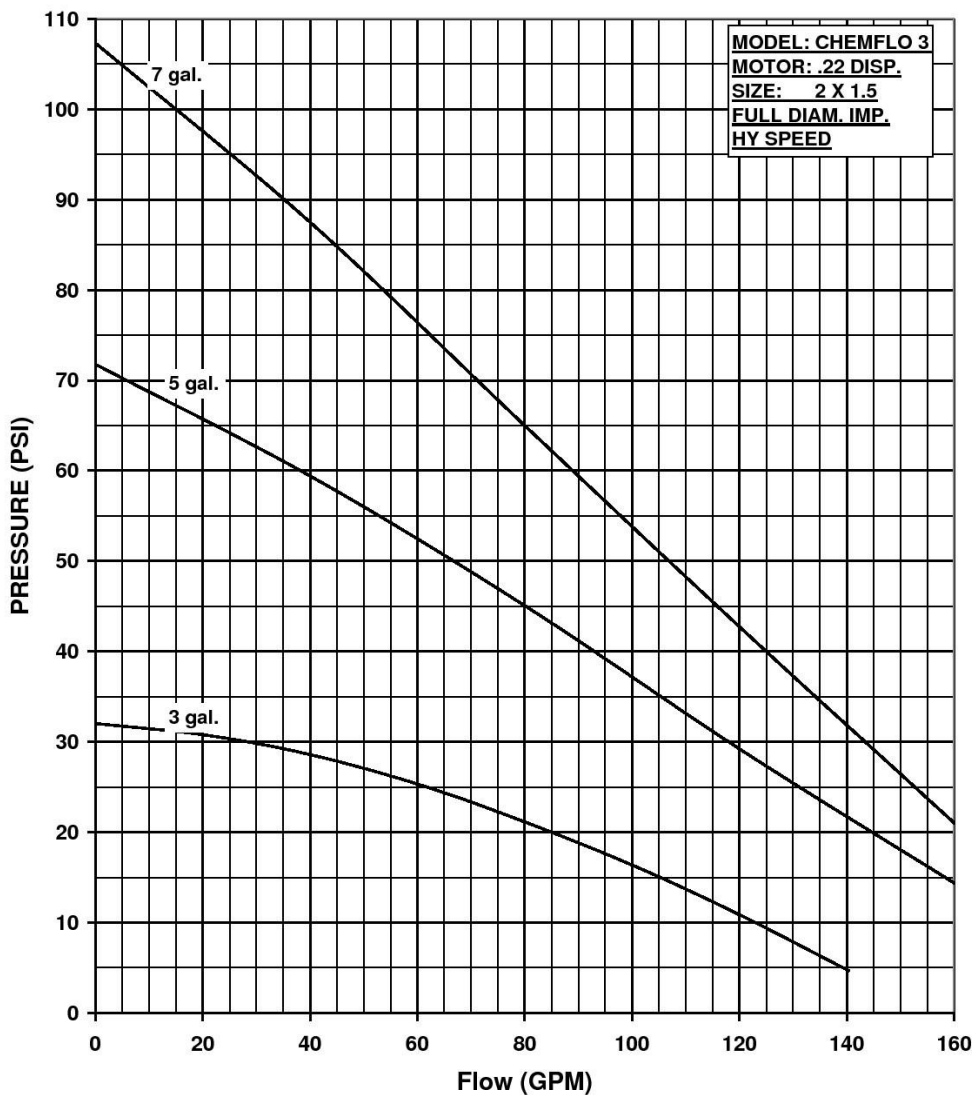
12500 South Pulaski Road
Alsip, IL 60803, USA
Phone (800) 563-8006



An Ingersoll Rand Business

CHEMFLO 3 Hydraulic

PERFORMANCE CURVES



OIL FLOW	SHUT OFF	20	40	60	80	100	120	140	160	MAX. HYD. OIL PRESS. REQ.
	0 GPM	GPM	GPM	GPM	GPM	GPM	GPM	GPM	GPM	
3 GPM	32 PSI	30 PSI	28 PSI	25 PSI	21 PSI	17 PSI	11 PSI	5 PSI		1600 PSI
5 GPM	72 PSI	66 PSI	59 PSI	52 PSI	44 PSI	37 PSI	28 PSI	22 PSI	15 PSI	2200 PSI
7 GPM	108 PSI	95 PSI	83 PSI	70 PSI	57 PSI	47 PSI	38 PSI	29 PSI	22 PSI	2600 PSI

CN 7114-S



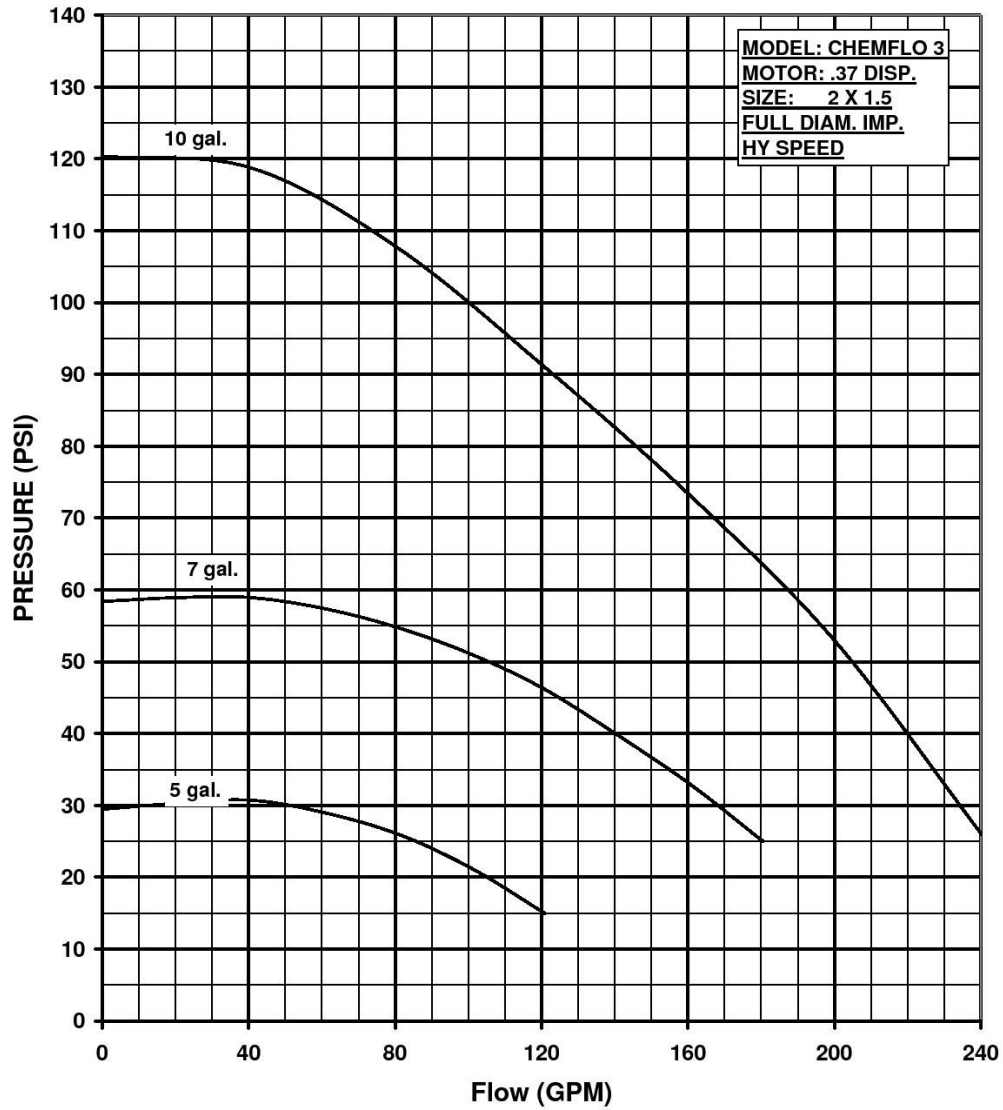
12500 South Pulaski Road
 Alsip, IL 60803, USA
 Phone (800) 563-8006



An Ingersoll Rand Business

CHEMFLO 3 Hydraulic

PERFORMANCE CURVES



OIL FLOW	SHUT OFF	40	80	120	160	200	240	MAX. HYD OIL PRESS. REQ.
	0 GPM	GPM	GPM	GPM	GPM	GPM	GPM	
5 GPM	29 PSI	28 PSI	24 PSI	15 PSI				950 PSI
7 GPM	59 PSI	59 PSI	55 PSI	47 PSI	33 PSI			1750 PSI
10 GPM	120 PSI	119 PSI	108 PSI	92 PSI	73 PSI	53 PSI	27 PSI	2650 PSI

CN 7111-S



12500 South Pulaski Road
Alsip, IL 60803, USA
Phone (800) 563-8006

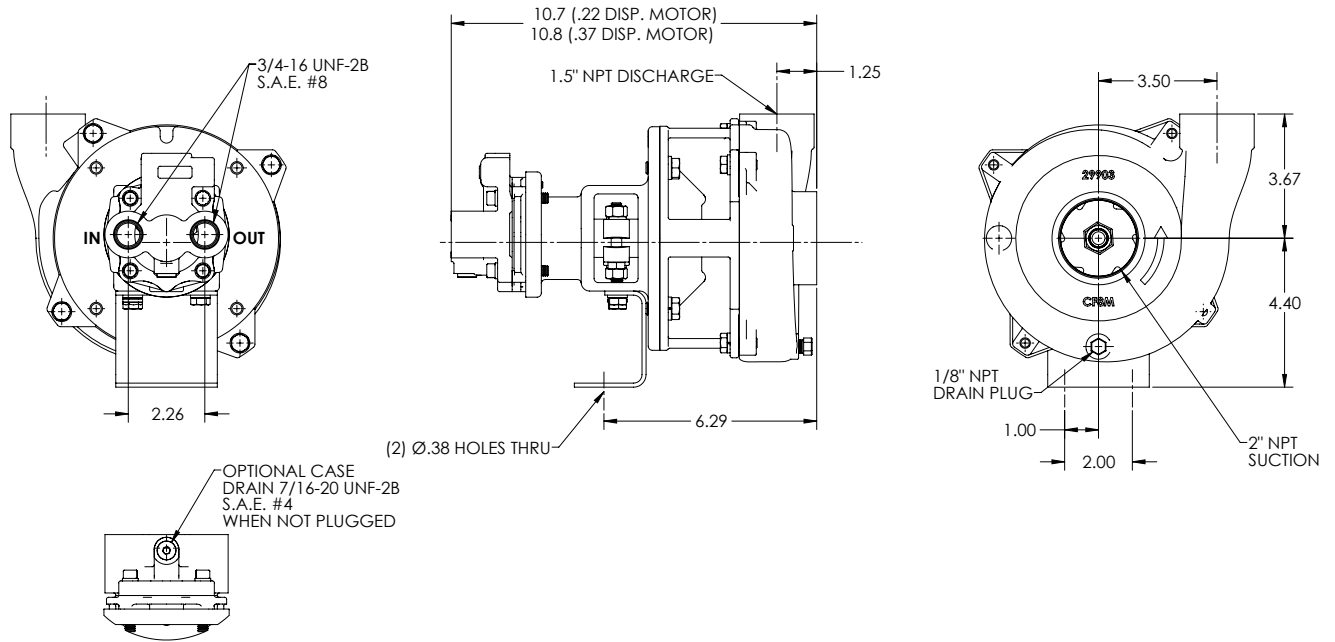


An Ingersoll Rand Business

CHEMFLO 3 Hydraulic

DIMENSIONS

CHEMFLO 3-4 H.S. HYD. - MP36006



* For complete parts lists and troubleshooting guidance, please refer to the MP Pumps Installation Operation & Maintenance (IOM) Manual.



12500 South Pulaski Road
Alsip, IL 60803, USA
Phone (800) 563-8006