



CHEMFLO 3 Pedestal

2" x 1-1/2" End Suction Centrifugal Pump with Enclosed Impeller

MP Pumps has re-designed the Chemflo® 3 housing allowing for the acceptance of both a semi-open and enclosed impeller. The enclosed impeller improves pump efficiency over the semi-open impeller making it an ideal option when pumping fluids without large solids. Maximum solids should not exceed .25 diameter.

All wetted components are 316 investment cast stainless steel providing superior corrosion resistance when pumping chemical compounds. The Chemflo® 3 is adaptable for close coupling to both 56C 145TC and 184C NEMA frame electric motors. Pedestal (Bare Shaft) mounting is available for long-coupling. The Chemflo® 3 is also available with the MP Hy-Speed hydraulic motor.

If ordering a pumpak with a 145TC please note that the electric motor must have a base.

SPECIFICATIONS:

Suction / Discharge	2" x 1-1/2" NPT
Materials of Construction	316 Stainless Steel
Flow	160 GPM (36 m ³ /h)
Head Feet	98 TDH (29.9 m)
Impeller	5.25" (133.35 mm) enclosed cast 316 SS
Seal	Special seal material combinations available (consult factory), Standard carbon / ceramic / Viton
Drive Options	Close Coupled 56C Close Coupled 145TC Close Coupled 184C High Speed Hydraulic Pedestal PumPak®

Application:

- Agricultural
- Commercial
- Industrial
- OEM



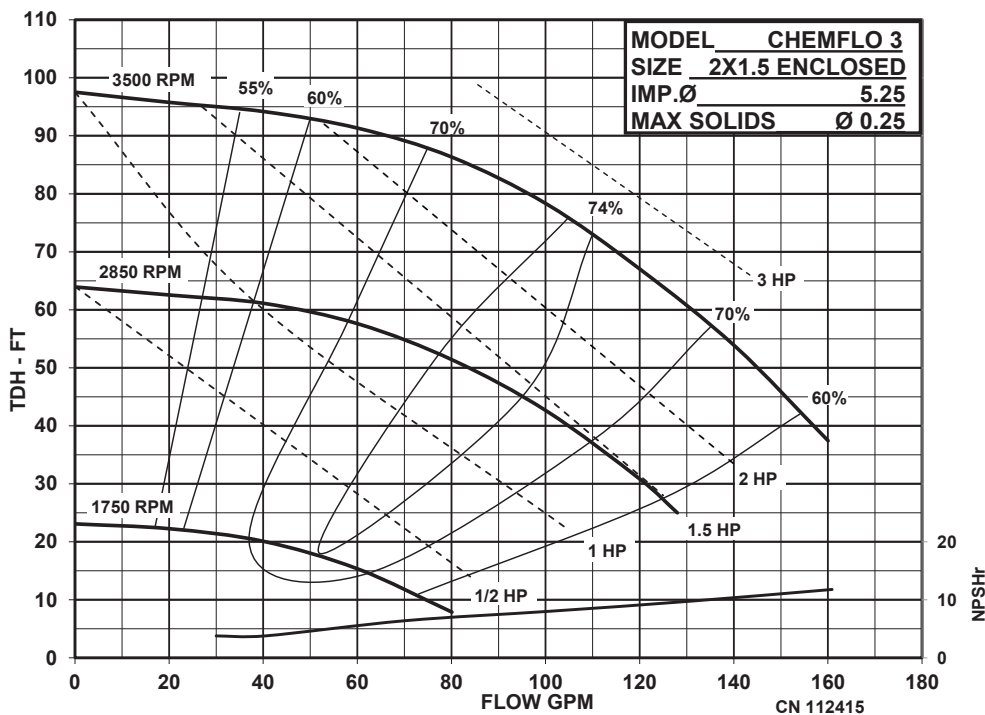
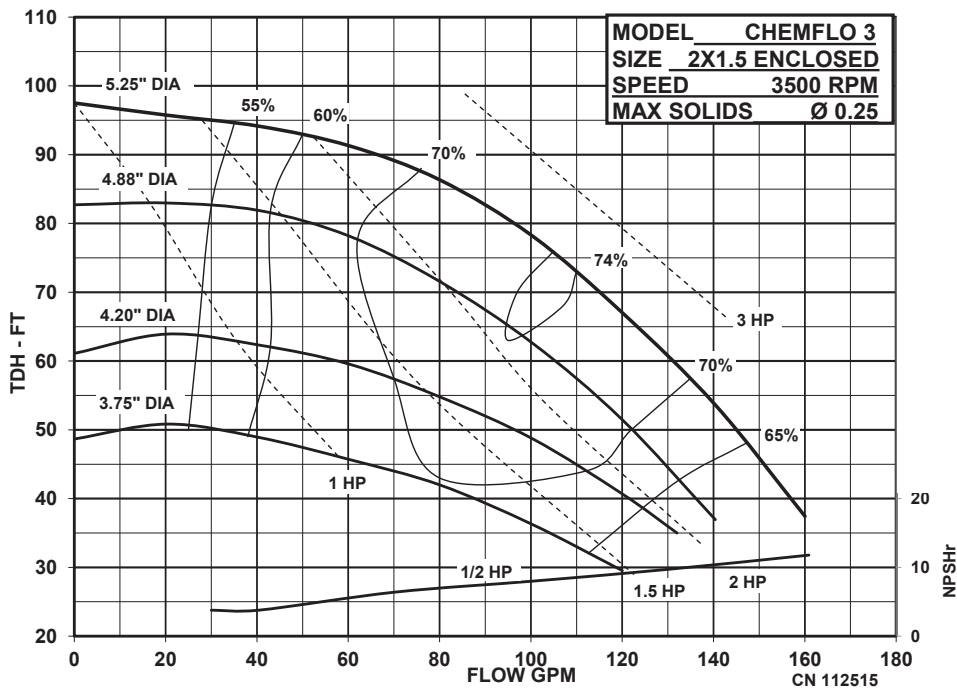
12500 South Pulaski Road
Alsip, IL 60803, USA
Phone (800) 563-8006



An Ingersoll Rand Business

CHEMFLO 3 Pedestal

PERFORMANCE CURVES



12500 South Pulaski Road
 Alsip, IL 60803, USA
 Phone (800) 563-8006

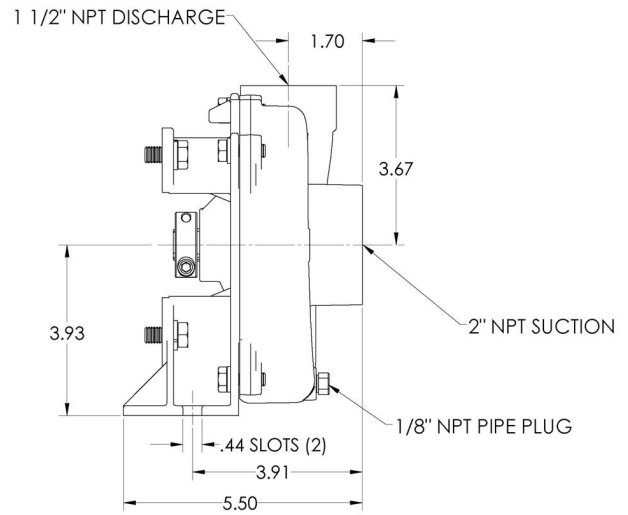
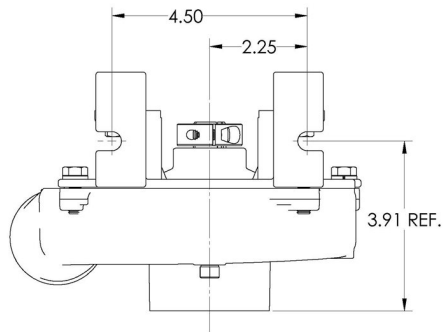
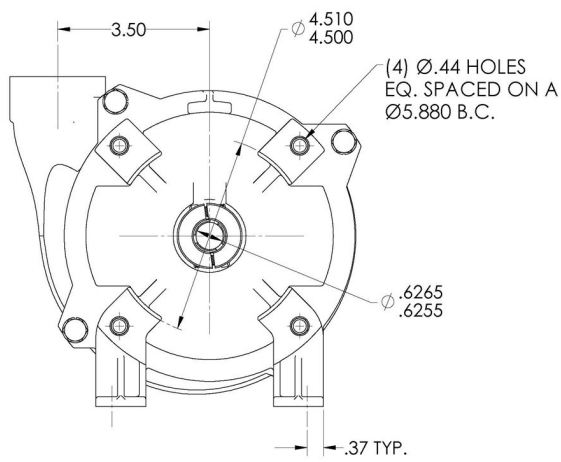


An Ingersoll Rand Business

CHEMFLO 3 Pedestal

DIMENSIONS

CF3 PUMPAK



* For complete parts lists and troubleshooting guidance, please refer to the MP Pumps Installation Operation & Maintenance (IOM) Manual.



12500 South Pulaski Road
Alsip, IL 60803, USA
Phone (800) 563-8006