

CHEMFLO 7 Hydraulic

2" x 1" End Suction Centrifugal Pump

Made with high quality investment cast 316 stainless steel components, the ChemFlo® series of pumps are designed to be applied in a wide range of pumping applications where stainless steel is required.

The ChemFlo® 7 hydraulic pumps utilize an enclosed impeller designed for achieving higher heads and efficiencies than a standard semi-open impeller. Multiple hydraulic flows allow the ChemFlo® 7 to meet most duty points up to 240 GPM (54.5 m³/h) and total head up to 340 feet (104 m). Several mechanical seal options are available in addition to the standard type 2100 carbon / ceramic / Viton mechanical seal.

ChemFlo® 7 hydraulic pumps are offered with 1.16 or 1.59 cubic inch (9.0 or 26.0 cm³) displacement SAE port fitting gerotor type motors for hydraulic flows up to 28 GPM (6.35 m³/h) and a maximum pressure of 2100 PSI (145 bar). Some hydraulic motors are bi-rotational.

SPECIFICATIONS:

Suction / Discharge	2" x 1" 125# ANSI flange
Materials of Construction	316 stainless steel
Flow	Up to 240 GPM (54.5 m ³ /h)
Head Feet	Up to 300' (91 m)
Impeller	8.0" (203.2 mm) enclosed, cast 316 SS
Drive Options	Hydraulic motor 1.16 cu. in., (9.0 cm ³) Hydraulic motor 1.59 cu. in. (26.0 cm ³)
Seal	Special seal material combinations available (consult factory), Standard carbon / ceramic / Viton
PSI / bar	Up to 142 PSI / 9.8 bar
Hydraulic System Pressure	Up to 2100 PSI (145 bar)
Hydraulic Fluid Flow	Up to 28 GPM (6.35 m ³ /h)
Hydraulic Motor	Gerotor

Application:

- Agricultural
- Commercial
- Industrial
- Marine
- OEM



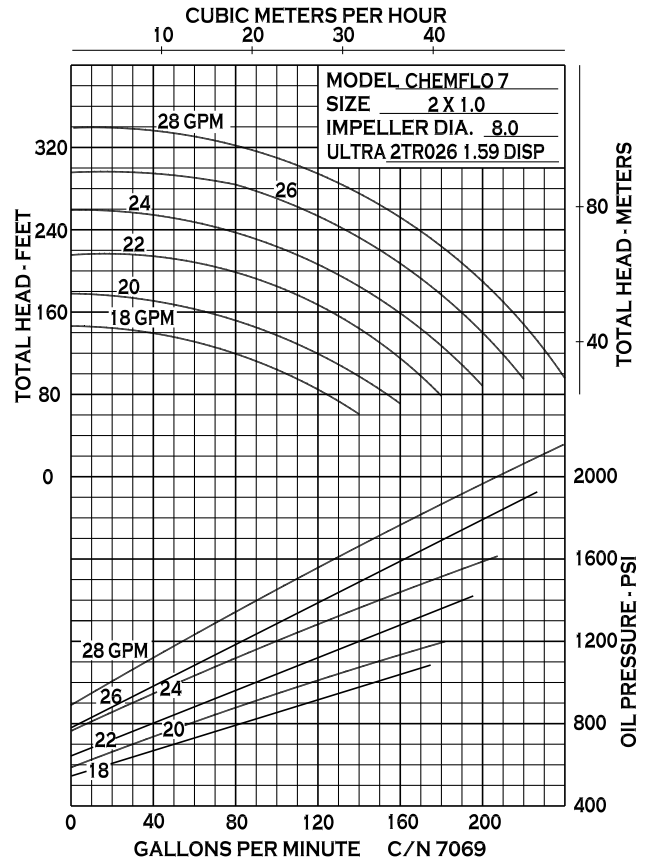
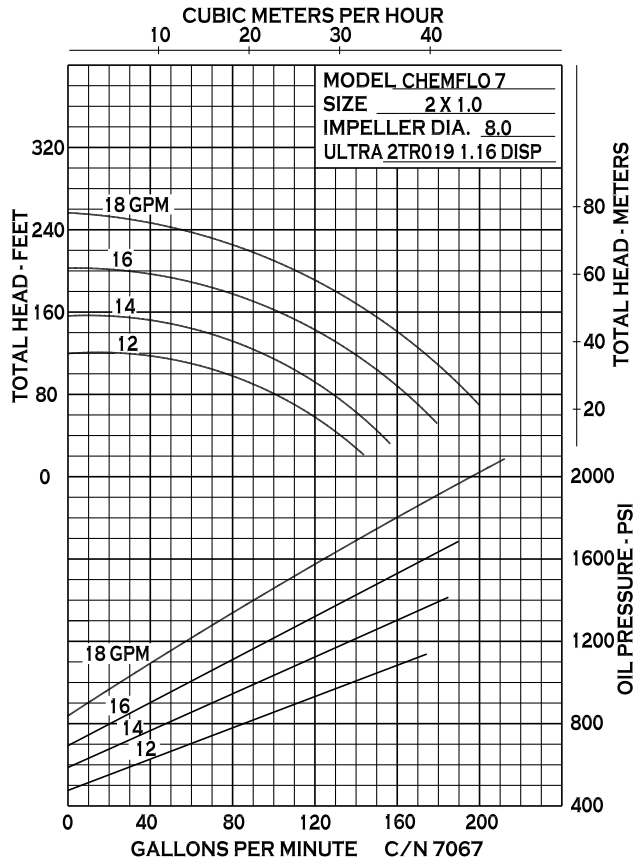
12500 South Pulaski Road
Alsip, IL 60803, USA
Phone (800) 563-8006



An Ingersoll Rand Business

CHEMFLO 7 Hydraulic

PERFORMANCE CURVES



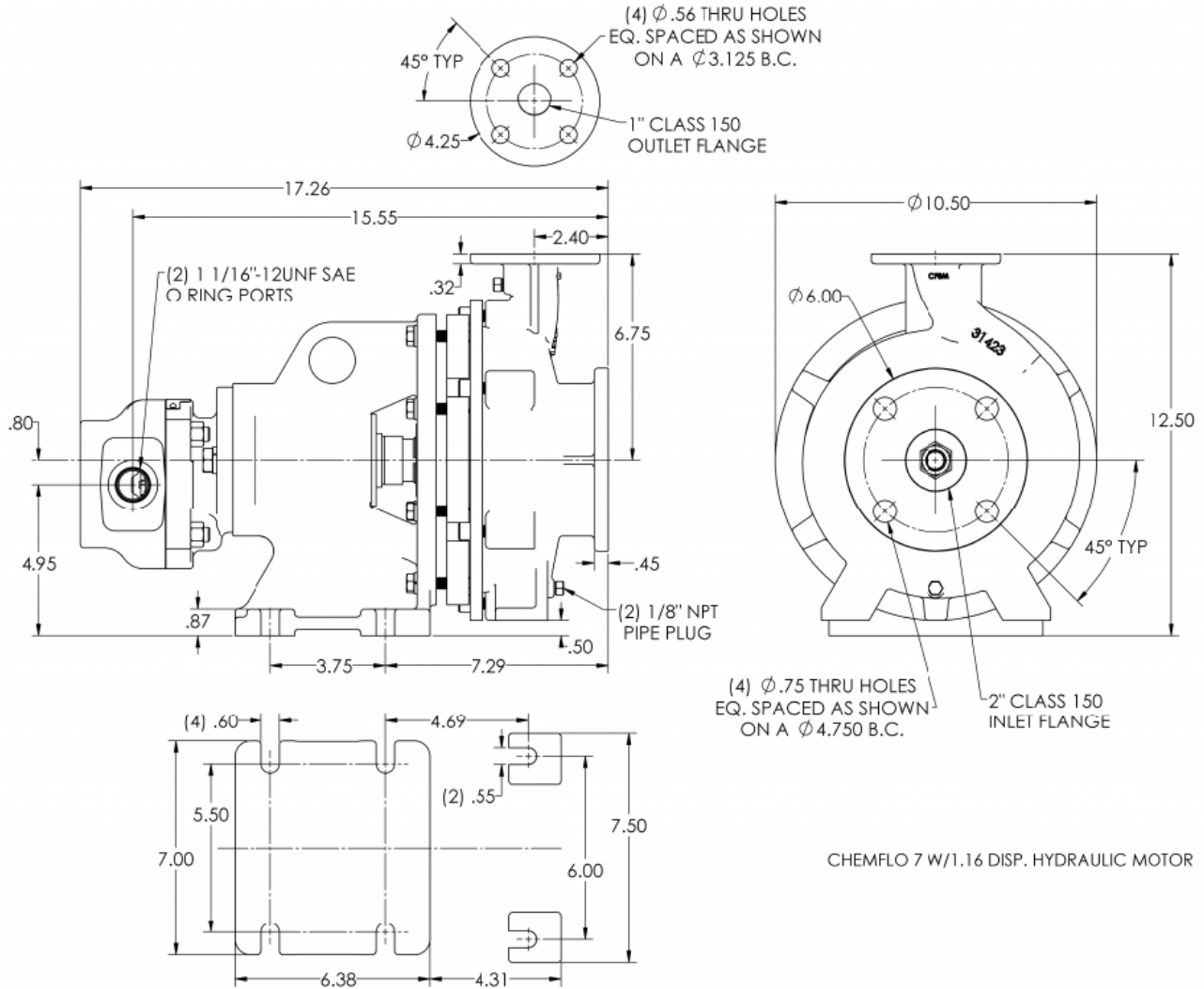
12500 South Pulaski Road
 Alsip, IL 60803, USA
 Phone (800) 563-8006



An Ingersoll Rand Business

CHEMFLO 7 Hydraulic

DIMENSIONS



* For complete parts lists and troubleshooting guidance, please refer to the MP Pumps Installation Operation & Maintenance (IOM) Manual.



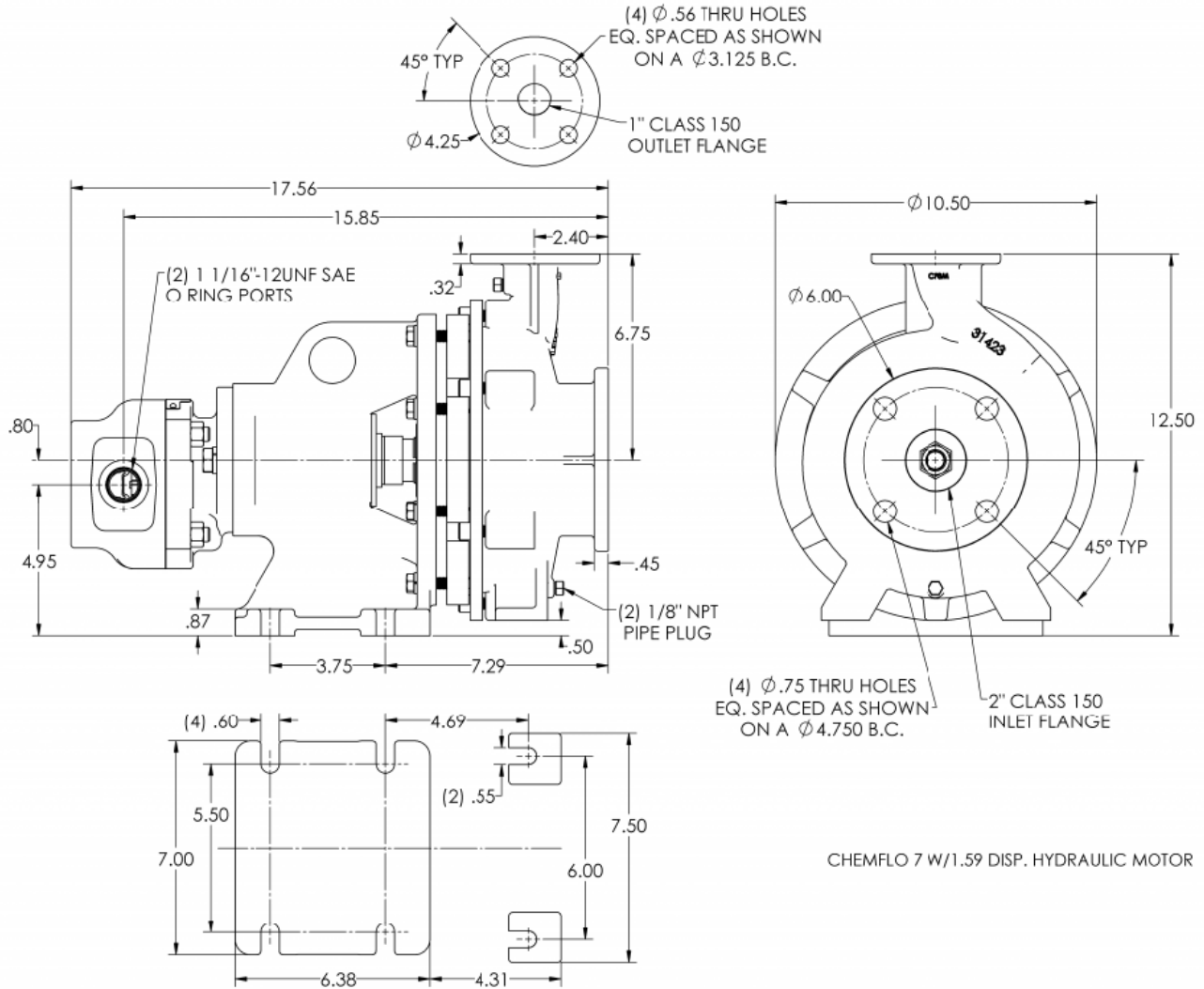
12500 South Pulaski Road
Alsip, IL 60803, USA
Phone (800) 563-8006



An Ingersoll Rand Business

CHEMFLO 7 Hydraulic

DIMENSIONS



* For complete parts lists and troubleshooting guidance, please refer to the MP Pumps Installation Operation & Maintenance (IOM) Manual.



12500 South Pulaski Road
Alsip, IL 60803, USA
Phone (800) 563-8006