



FLOMAX 35 SS

4" x 3" 316 Stainless Steel, Self-Priming, Centrifugal Pump

The FLOMAX 35 SS is a heavy-duty, self-priming centrifugal pump designed to manage highly aggressive fluids with exceptional efficiency. Built from premium 316 stainless steel, it delivers outstanding resistance to corrosion and superior chemical compatibility, making it ideal for challenging applications across agriculture, industrial operations, and marine environments.

This model features a standard Viton flapper, a priming chamber fill plug, and a 4-inch NPT suction flange, all of which enhance suction lift performance at higher flow rates. The discharge port incorporates a 3-inch ANSI 150# flat flange for secure and reliable fluid transfer. Its standard mechanical seal – crafted from carbon, ceramic, Viton, and stainless steel – ensures long-lasting durability under demanding conditions. Optional seal configurations are available to accommodate specialized requirements.

For installation flexibility, the pump can be mounted on standard NEMA “C” electric motor frames, engines, or the MP pedestal. The PUMPAK assembly comes pre-built and can be attached to a standard motor within minutes, streamlining setup and reducing downtime.

The FLOMAX 35 SS model is certified with ABS Type Approval.

SPECIFICATIONS:

Suction / Discharge	Suction: 4" NPT Discharge: 3" NPT 150 # Class Flat Flange
Materials of Construction	Cast Iron & Stainless Steel
Flow	Up to 500 GPM (113.6 m ³ /h)
Impeller	316 SS, Semi-Open, Balanced
Seal	Carbon/Ceramic/Viton
Drive Options	Close Coupled 184TC Close Coupled 256TC Close Coupled 284TSC Close Coupled 286TSC Engine Electric Motor: -256TC -286TSC Pedestal PumpPak (without motor)

Features

- ABS Type Approved

Application

- Agricultural
- Industrial
- Marine



12500 South Pulaski Road
Alsip, IL 60803, USA
Phone (800) 563-8006

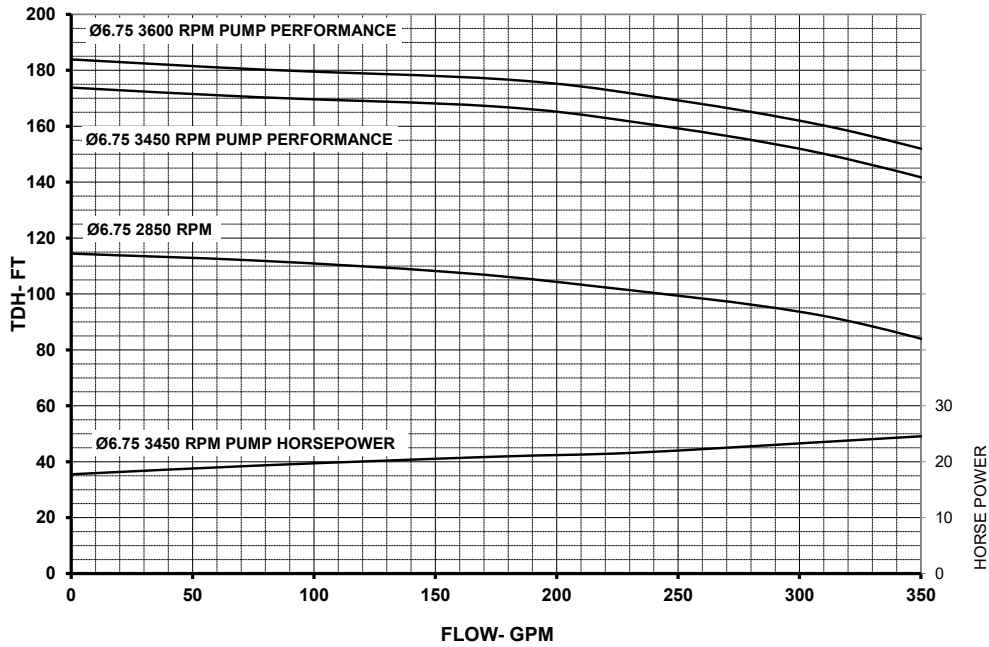


An Ingersoll Rand Business

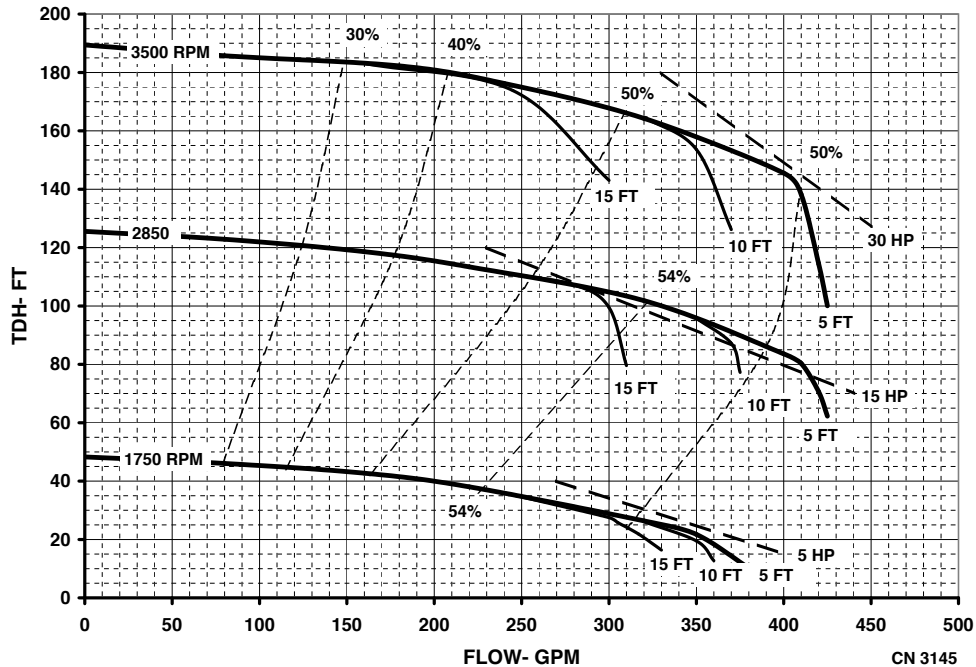
FLOMAX 35 SS

PERFORMANCE CURVES

FM35, 4x3
6.75 Impeller



FM35, 4x3
7.0 Impeller



CN 3145



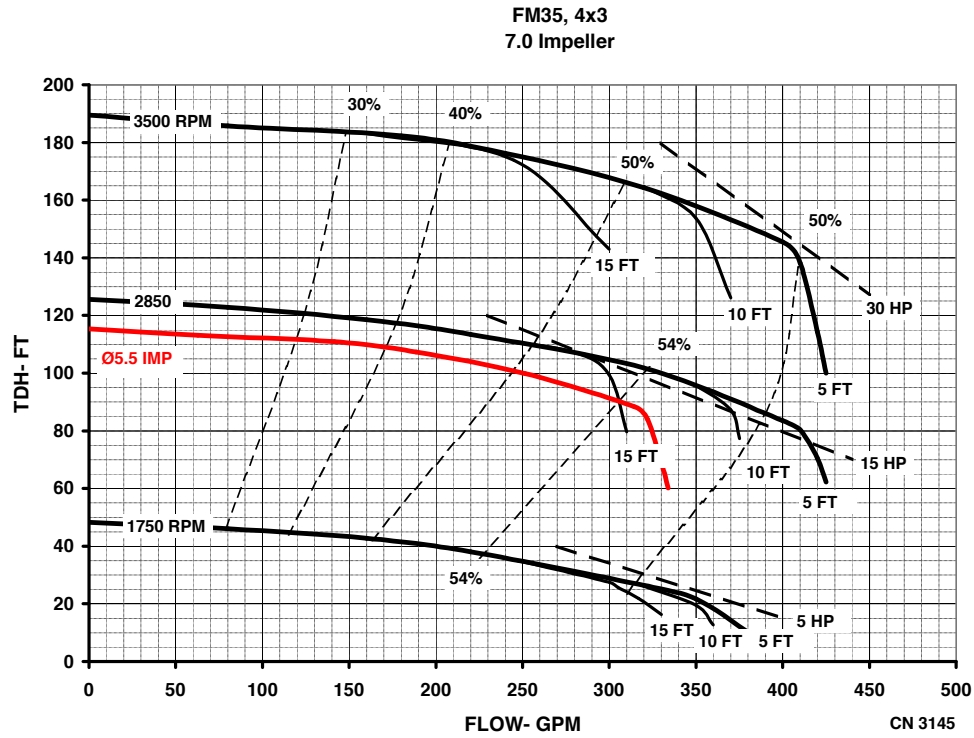
12500 South Pulaski Road
Alsip, IL 60803, USA
Phone (800) 563-8006



An Ingersoll Rand Business

FLOMAX 35 SS

PERFORMANCE CURVES



12500 South Pulaski Road
Alsip, IL 60803, USA
Phone (800) 563-8006

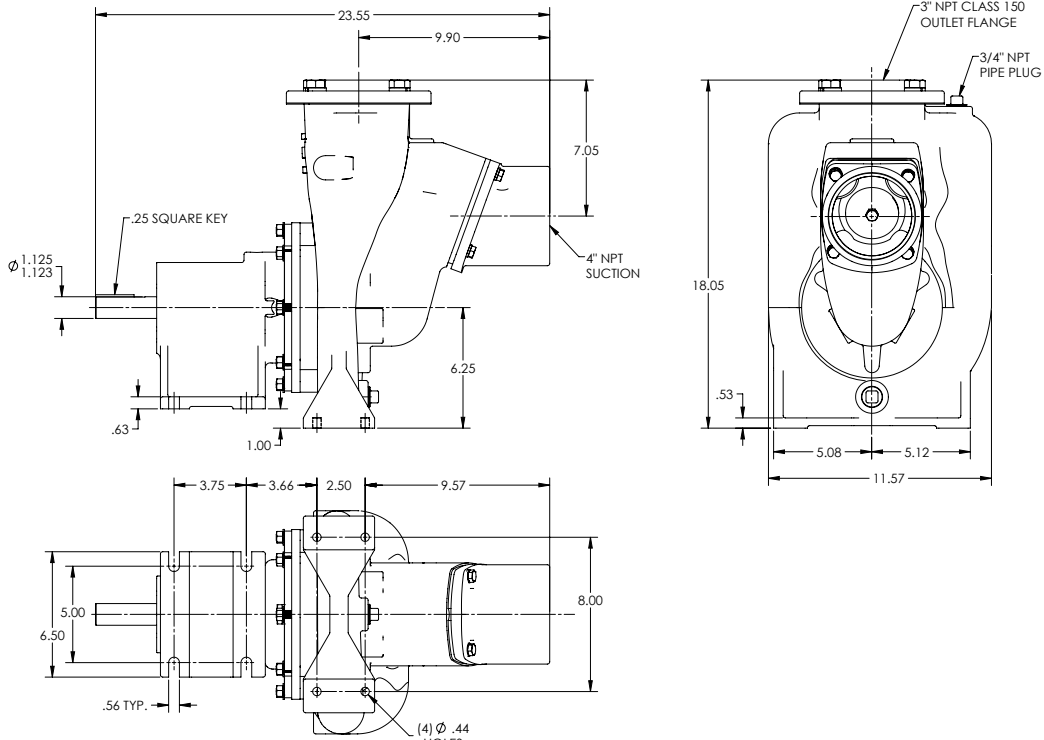


An Ingersoll Rand Business

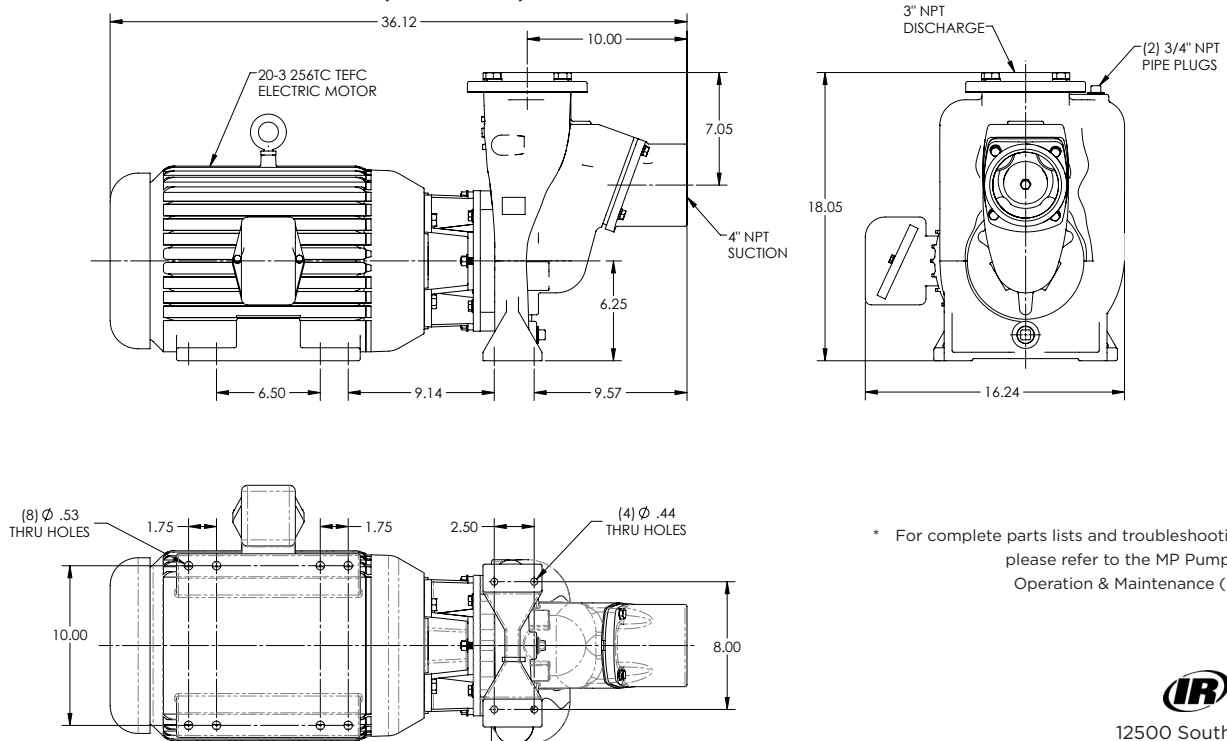
FLOMAX 35 SS

DIMENSIONS

FM35PMP SS:PED 7.0 T-2100 (MP38295)



FM35PMP SS:20-3 256TC 6.0 T-21 (MP39630)



* For complete parts lists and troubleshooting guidance, please refer to the MP Pumps Installation Operation & Maintenance (IOM) Manual.



12500 South Pulaski Road
Alsip, IL 60803, USA
Phone (800) 563-8006

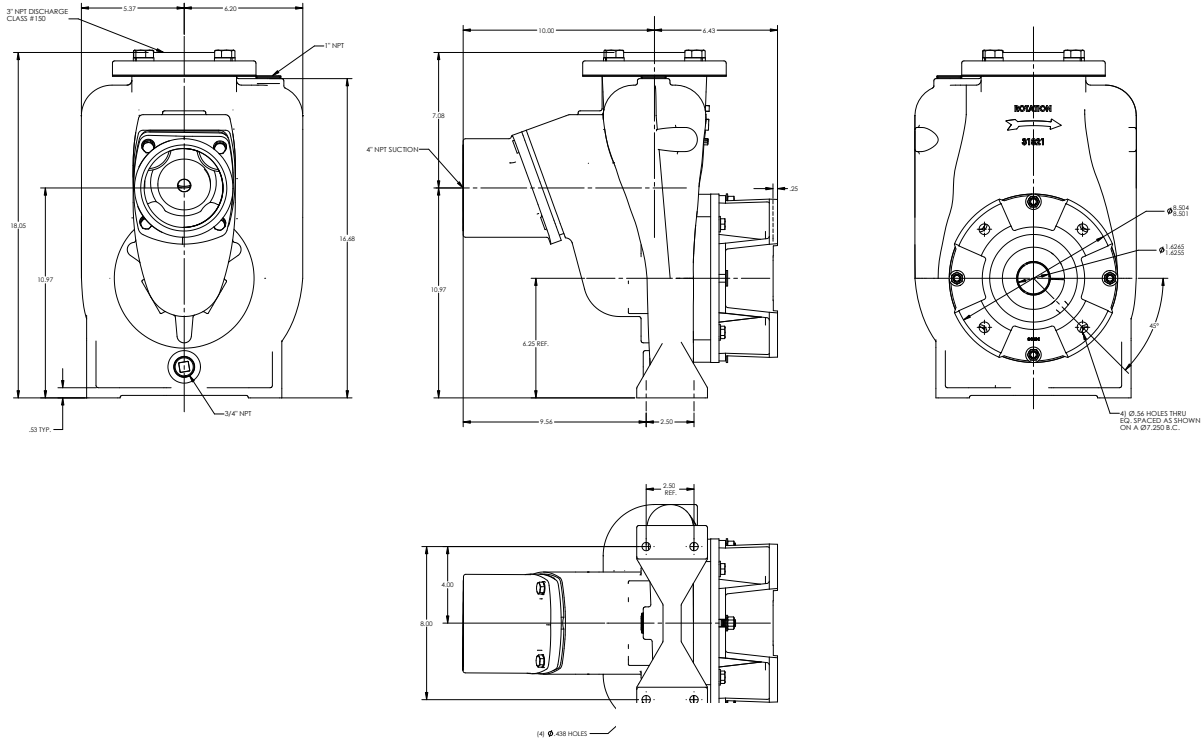


An Ingersoll Rand Business

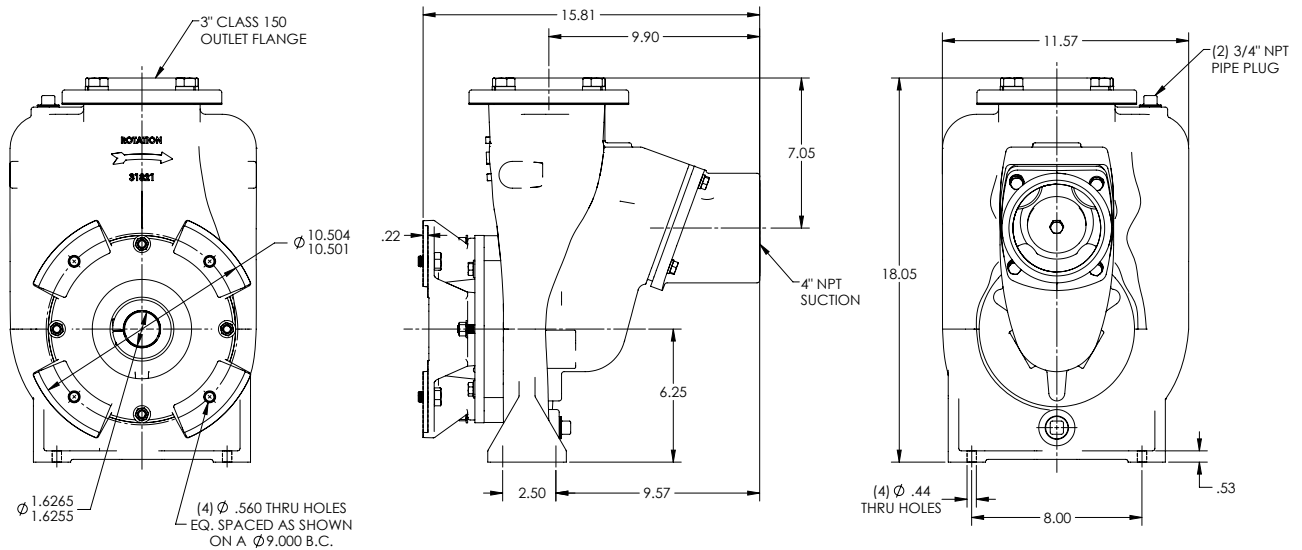
FLOMAX 35 SS

DIMENSIONS

FM35 S.S. PUMPAK (MP38298)



FM35PPK SS:CCMTR 286TSC 7.0 T-21 (MP38299)



* For complete parts lists and troubleshooting guidance, please refer to the MP Pumps Installation Operation & Maintenance (IOM) Manual.



12500 South Pulaski Road
Alsip, IL 60803, USA
Phone (800) 563-8006