



SERIES 120 Hydraulic

2" x 1-1/2" End Suction Centrifugal Pump

The Series 120 Hydraulic Pump delivers exceptional performance and reliability for demanding applications. Designed for efficiency and durability, it's ideal for agriculture, marine operations, industrial processes, and OEM systems.

Available in cast iron or bronze, the Series 120 ensures compatibility with various fluids. Dynamically balanced impellers boost efficiency and extend bearing life, while stainless steel fasteners resist corrosion for long-term dependability.

This pump offers flexible hydraulic motor options, including gerotor motors with 0.45, 0.58, or 0.73 cubic inch displacement (7.4 cm³, 9.5 cm³, or 12 cm³), supporting flows up to 15 GPM (3.4 m³/h) and pressures up to 2500 PSI (172 bar). This adaptability suits diverse operating conditions.

Its self-adjusting carbon/ceramic/Viton mechanical seal is corrosion-resistant, ensuring consistent performance even in harsh environments. Whether for irrigation, fluid transfer, or marine use, the Series 120 combines efficiency, strength, and versatility to meet tough requirements.

SPECIFICATIONS:

Suction / Discharge	2" x 1-1/2" NPT
Materials of Construction	Cast Iron
Flow	Up to 200 GPM (45.4 m ³ /h)
Head Feet	Up to 290' (88.3 m)
Impeller	6" (152.4 mm) enclosed cast iron
Seal	Standard carbon / ceramic / Viton
Drive Options	Hydraulic motor .45 cu. in. (7.37 cm ³) Hydraulic motor .58 cu. in. (9.50 cm ³) Hydraulic motor .73 cu. in. (11.96 cm ³)
Max Solid Size	.24" (6 mm)
Hydraulic Fluid Flow	Up to 15 GPM (3.4 m ³ /h)
Options	Hydraulic motors with flow controls
Hydraulic Motor	Gerotor
Hydraulic System Pressure	Up to 2500 PSI (172 bar)
PSI / bar	Up to 125 PSI / 8.6 bar

Application:

- Agricultural
- Industrial
- Marine
- OEM



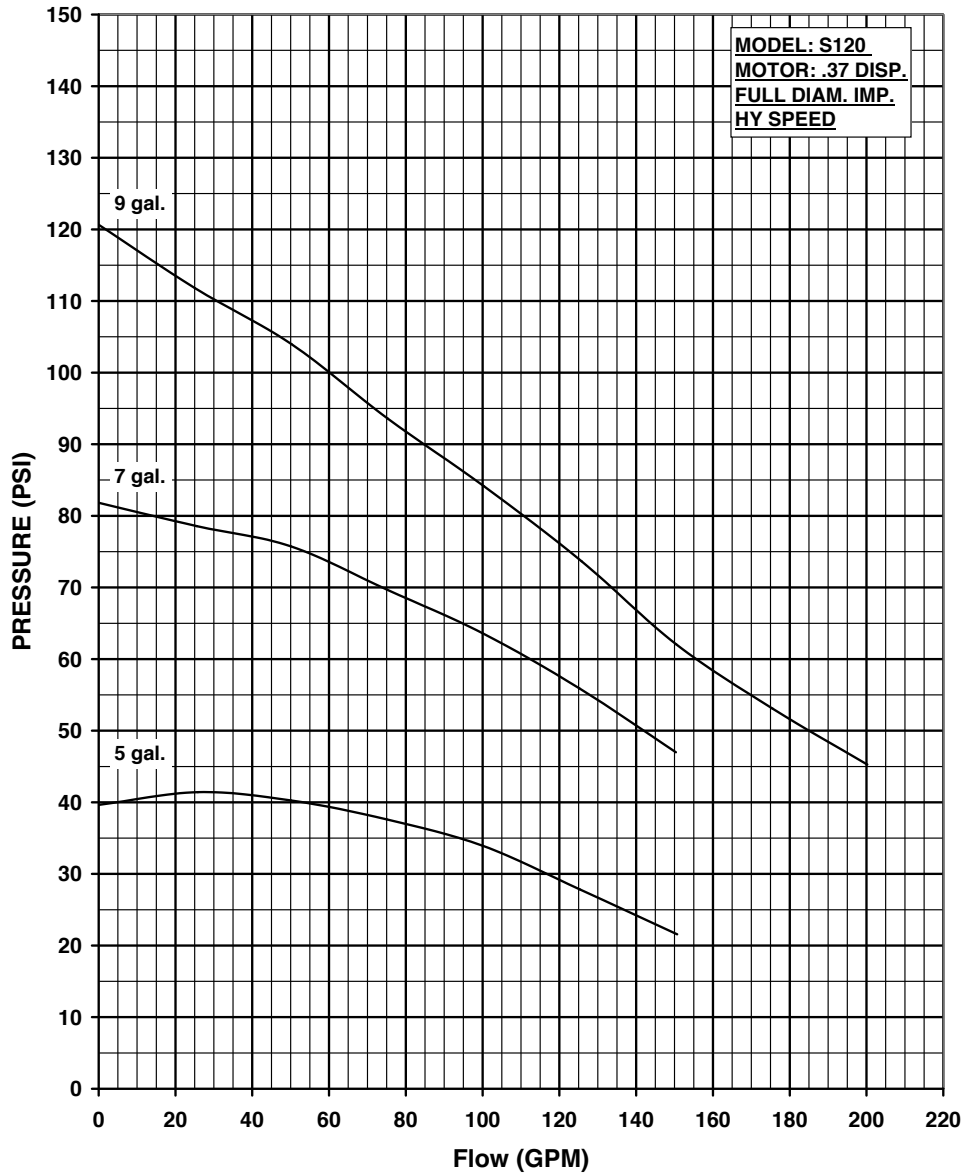
12500 South Pulaski Road
Alsip, IL 60803, USA
Phone (800) 563-8006



An Ingersoll Rand Business

SERIES 120 Hydraulic

PERFORMANCE CURVES



OIL FLOW	SHUT OFF	20	40	60	80	100	120	140	160	180	200	MAX. HYD. OIL PRESS. REQ.
	0 GPM	GPM	GPM	GPM	GPM	GPM	GPM	GPM	GPM	GPM	GPM	
5 GPM	40 PSI	41 PSI	41 PSI	39 PSI	37 PSI	34 PSI	29 PSI	24 PSI				1400 PSI
7 GPM	82 PSI	79 PSI	77 PSI	74 PSI	68 PSI	64 PSI	57 PSI	50 PSI				2400 PSI
9 GPM	121 PSI	113 PSI	107 PSI	100 PSI	92 PSI	84 PSI	76 PSI	67 PSI	58 PSI	52 PSI	45 PSI	2800 PSI

CN 7106-S



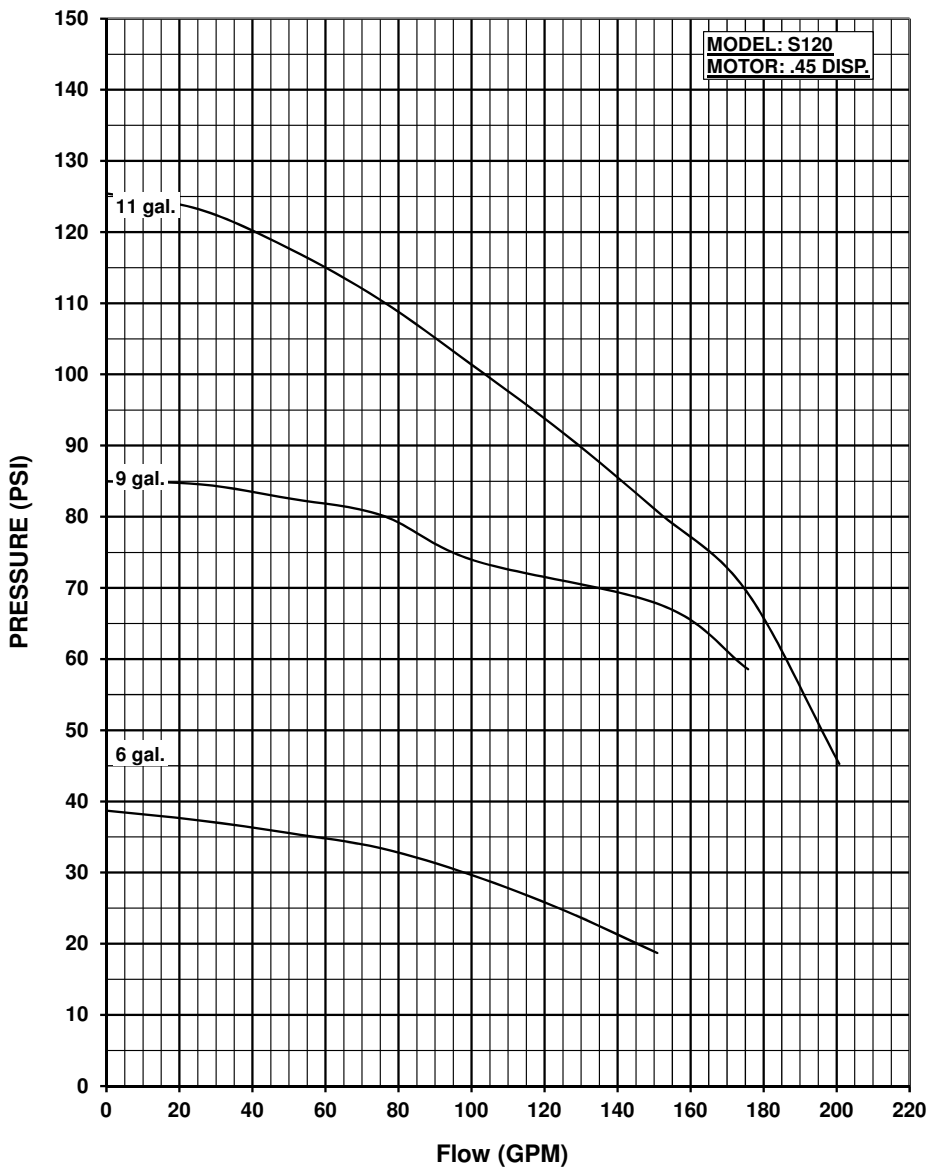
12500 South Pulaski Road
 Alsip, IL 60803, USA
 Phone (800) 563-8006



An Ingersoll Rand Business

SERIES 120 Hydraulic

PERFORMANCE CURVES



OIL FLOW	SHUT OFF	20	40	60	80	100	120	140	160	180	200	MAX. HYD. OIL PRESS. REQ.
	0 GPM	GPM	GPM	GPM	GPM	GPM	GPM	GPM	GPM	GPM	GPM	
6 GPM	40 PSI	37	36	35	33	29	27	22				1150 PSI
9 GPM	82 PSI	85	84	82	79	74	72	69	65			2150 PSI
11 GPM	121 PSI	124	120	115	109	102	94	86	77	66	45	2600 PSI

CN 7107-S



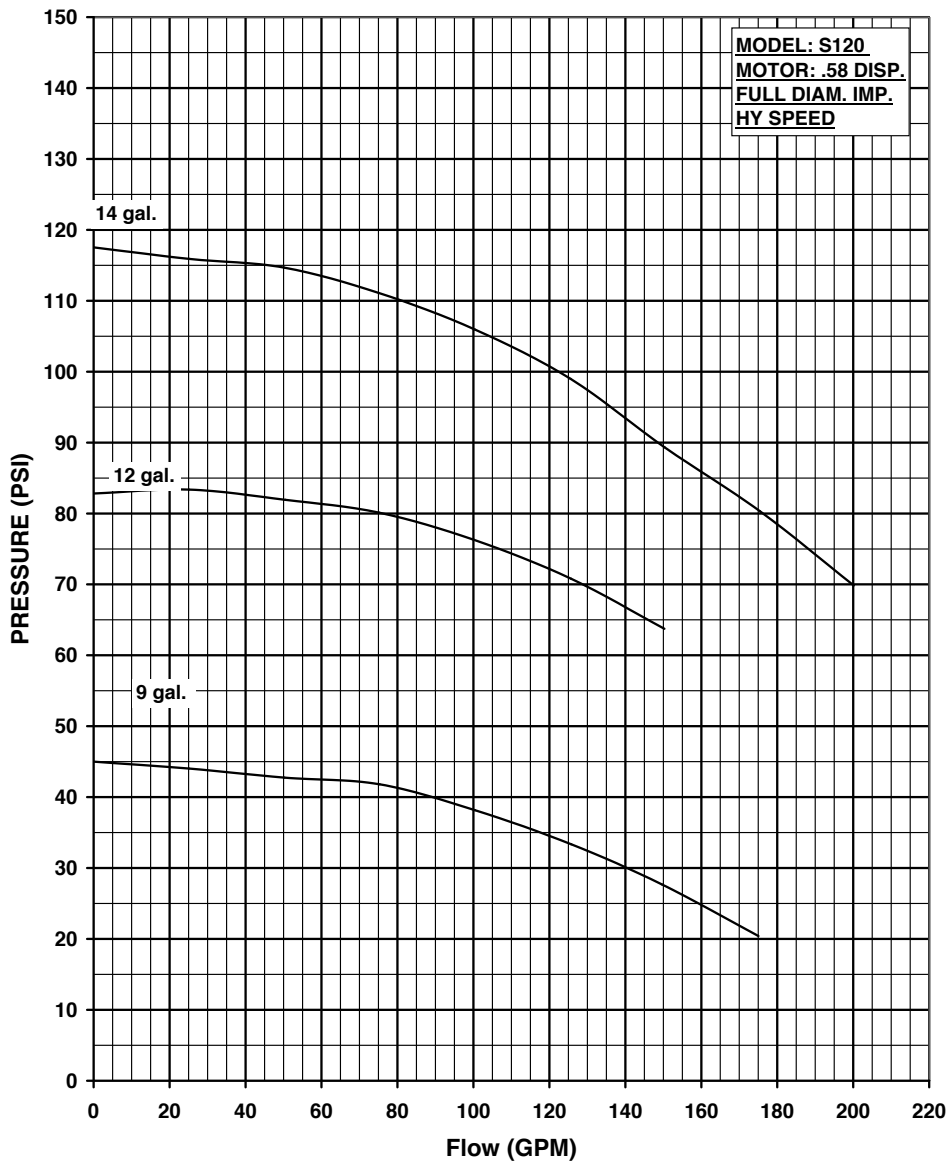
12500 South Pulaski Road
Alsip, IL 60803, USA
Phone (800) 563-8006



An Ingersoll Rand Business

SERIES 120 Hydraulic

PERFORMANCE CURVES



OIL FLOW	SHUT OFF 0 GPM	20 GPM	40 GPM	60 GPM	80 GPM	100 GPM	120 GPM	140 GPM	160 GPM	180 GPM	200 GPM	MAX. HYD. OIL PRESS.REQ.
9 GPM	40 PSI	45	43	42	41	38	35	30	25	19		1050 PSI
12 GPM	82 PSI	83	82	81	79	76	73	67				1850 PSI
14 GPM	121 PSI	116	115	114	110	106	103	94	85	79		2300 PSI

CN 7108-S



12500 South Pulaski Road
 Alsip, IL 60803, USA
 Phone (800) 563-8006

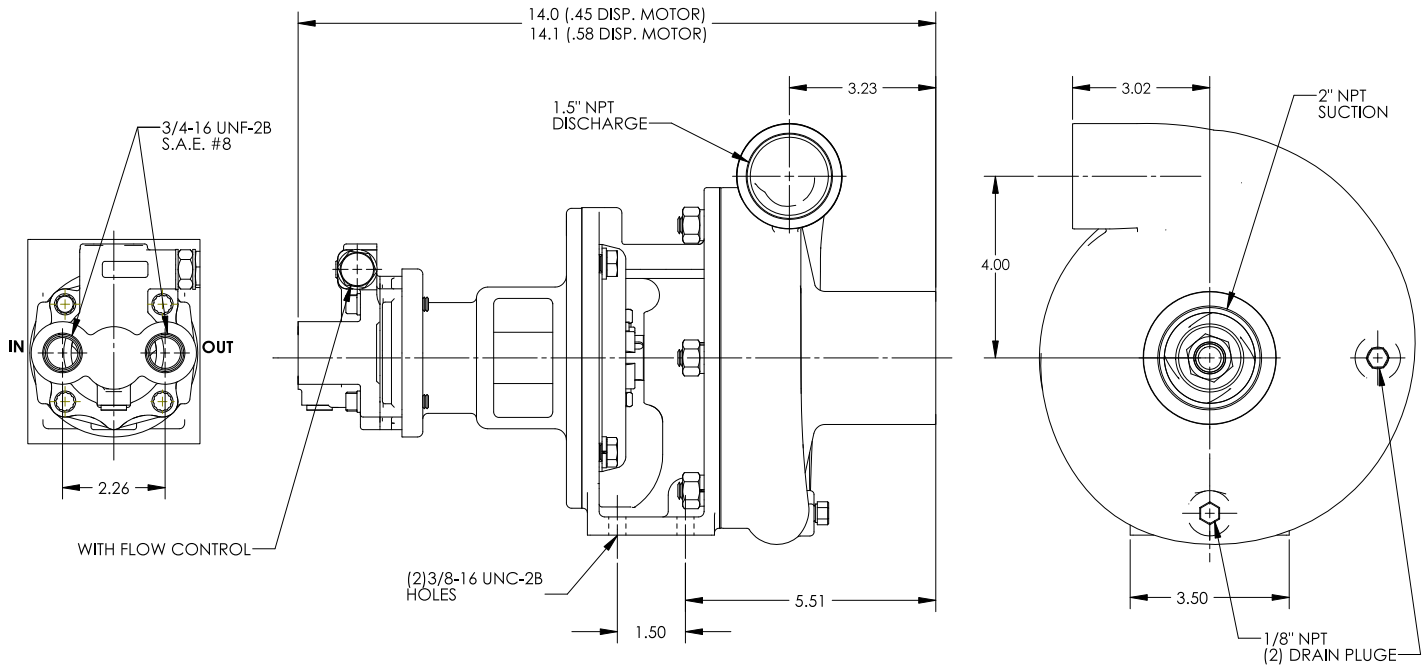


An Ingersoll Rand Business

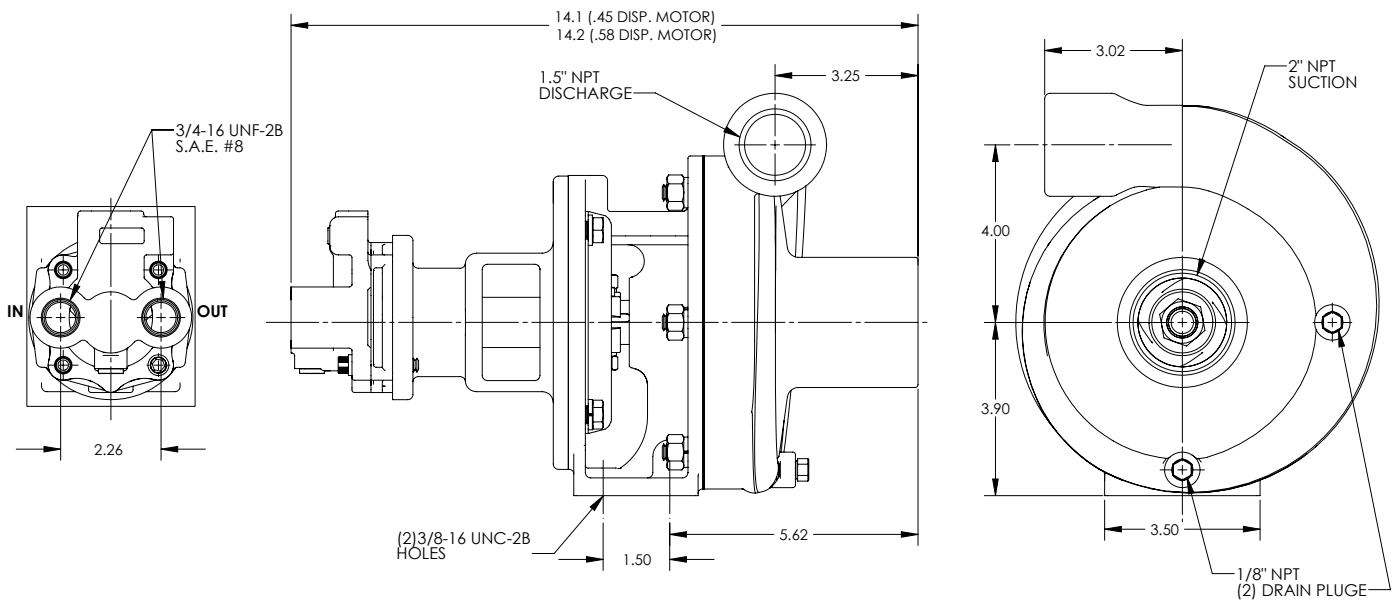
SERIES 120 Hydraulic

DIMENSIONS

S120 HS HYD ASY (MP36488)



S120 HS HYD ASY (MP36007)



* For complete parts lists and troubleshooting guidance, please refer to the MP Pumps Installation Operation & Maintenance (IOM) Manual.



12500 South Pulaski Road
Alsip, IL 60803, USA
Phone (800) 563-8006

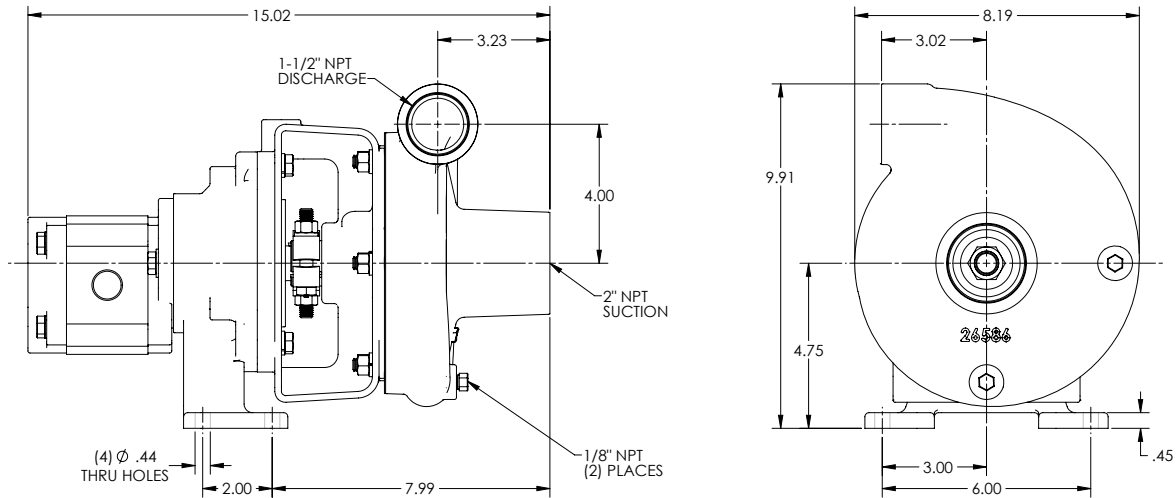


An Ingersoll Rand Business

SERIES 120 Hydraulic

DIMENSIONS

S120PMP C: PED/HYD ULTRA 5.96 (MP29379)



* For complete parts lists and troubleshooting guidance, please refer to the MP Pumps Installation Operation & Maintenance (IOM) Manual.



12500 South Pulaski Road
Alsip, IL 60803, USA
Phone (800) 563-8006