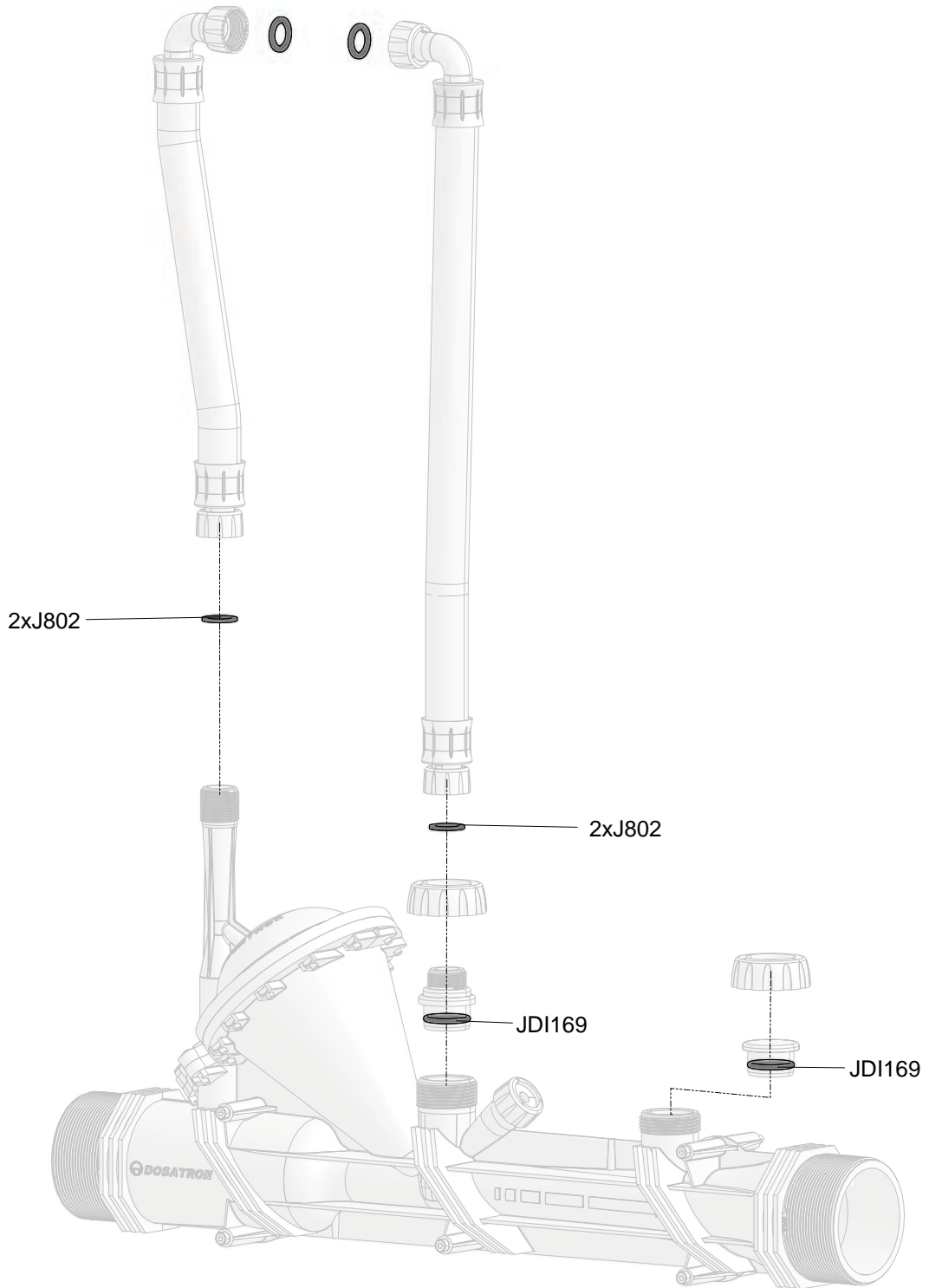


D30 0.003 - 0.03%

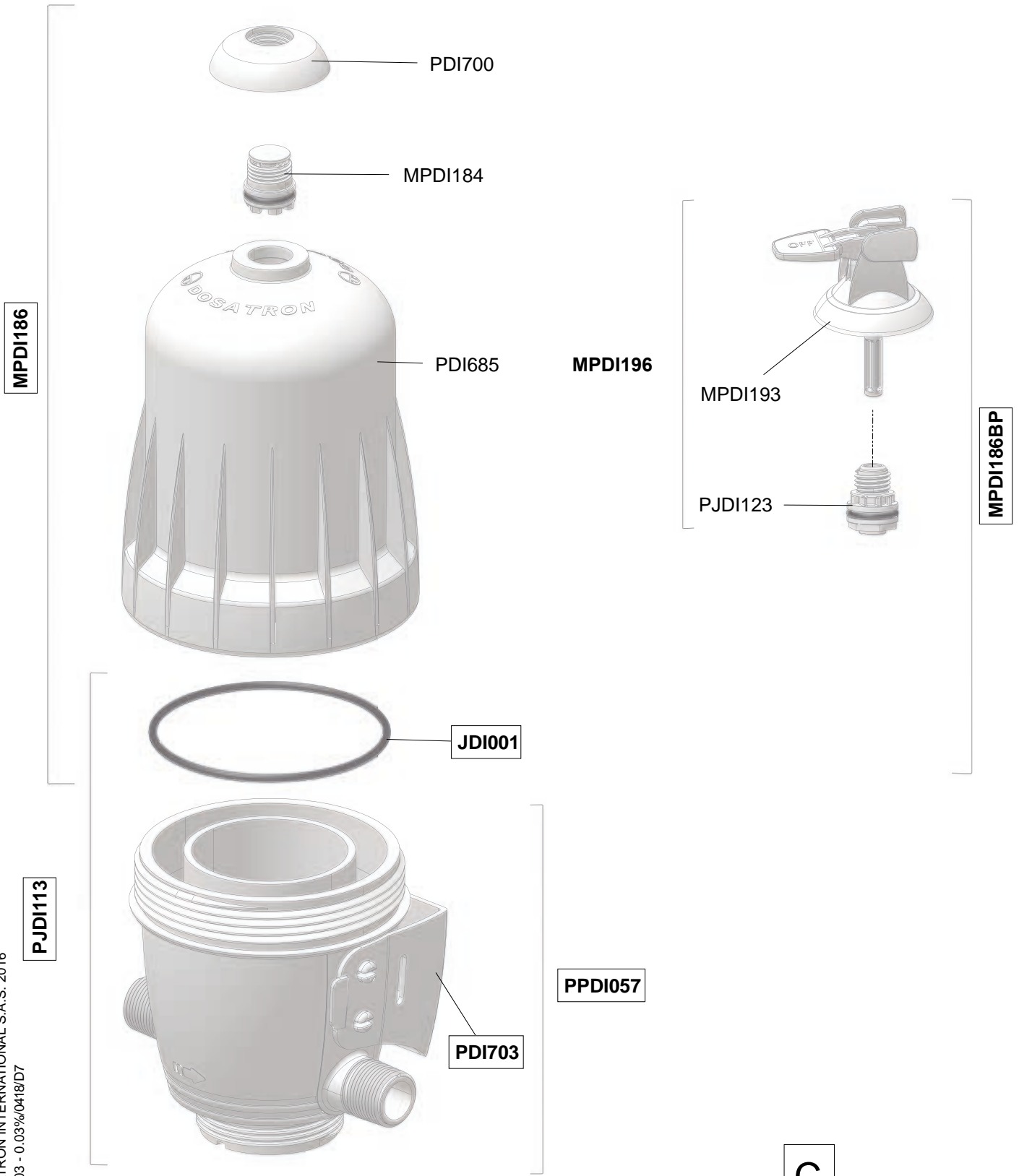
30m³/h - 0.003 - 0.03%
32 GPM - 1:30000 - 1:3000
0.5 - 8 bar
7.25 - 116 psi

EMDI009



D30 0.003 - 0.03%

30m³/h - 0.003 - 0.03%
132 GPM - 1: 30000 - 1: 3000
0.5 - 8 bar
7.25 - 116 psi



D30 0.003 - 0.03%

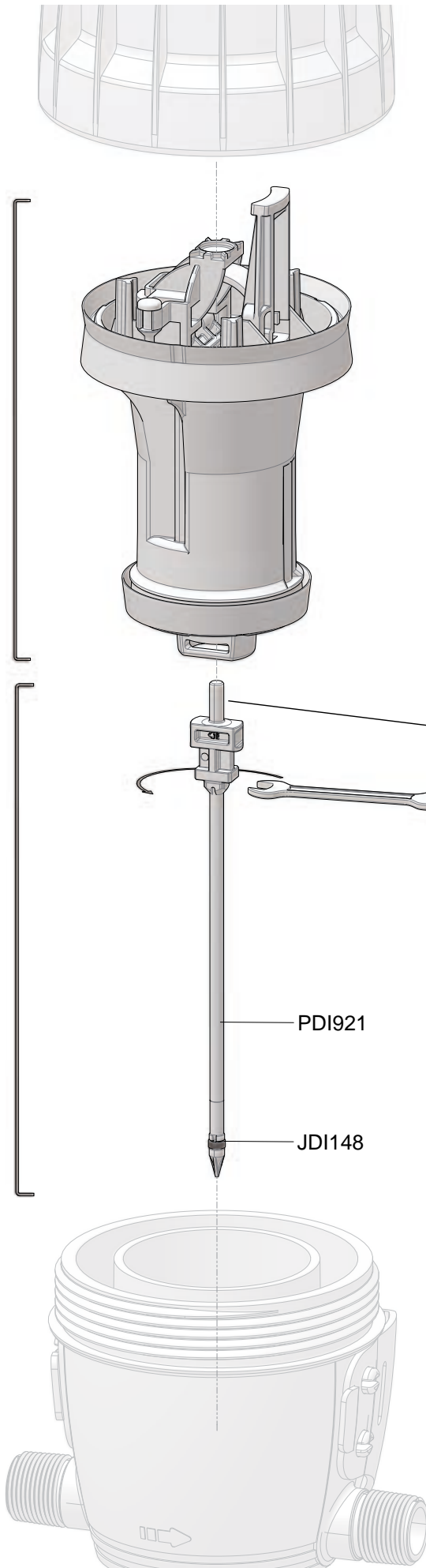
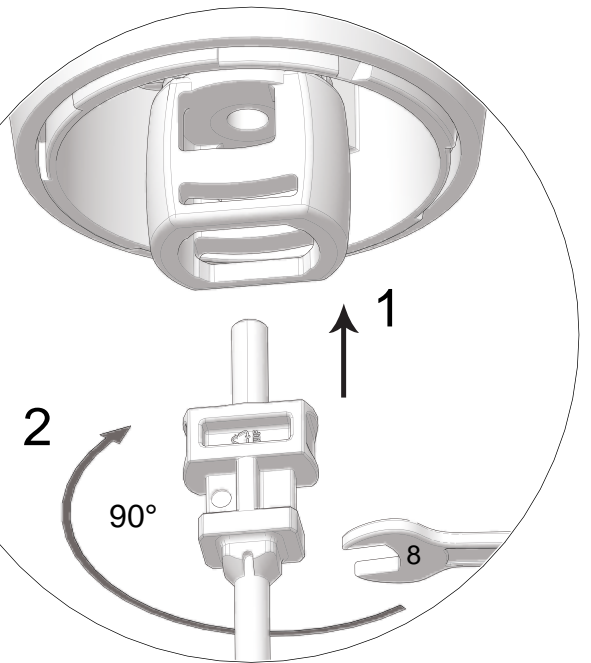
30m³/h - 0.003 - 0.03%
132 GPM - 1: 30000 - 1: 3000
0.5 - 8 bar
7.25 - 116 psi

PCDI030

PJDI138

PDI921

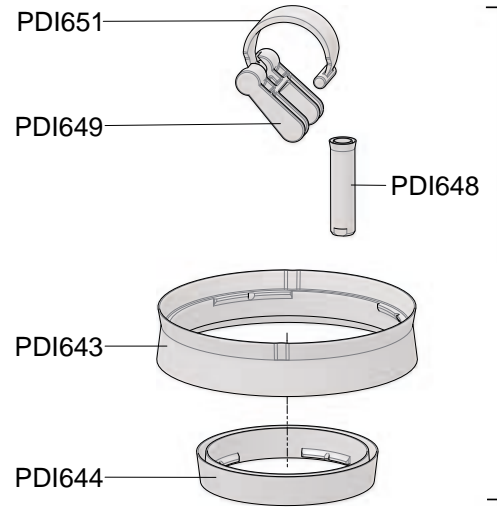
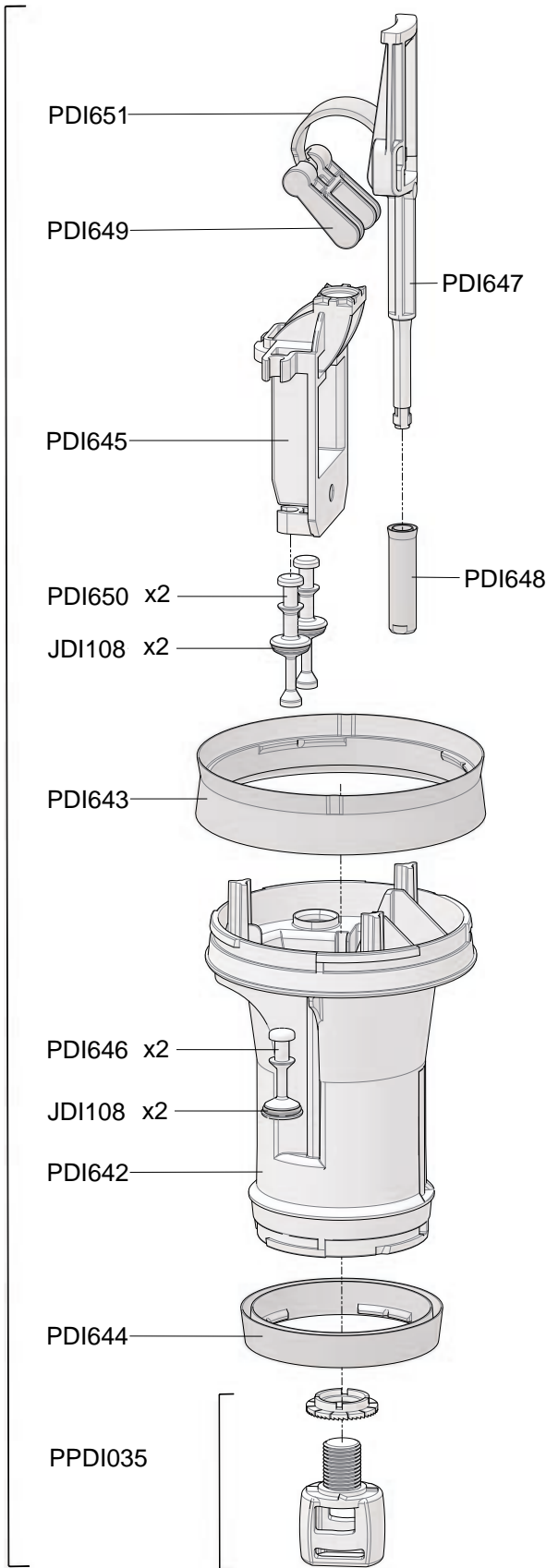
JDI148



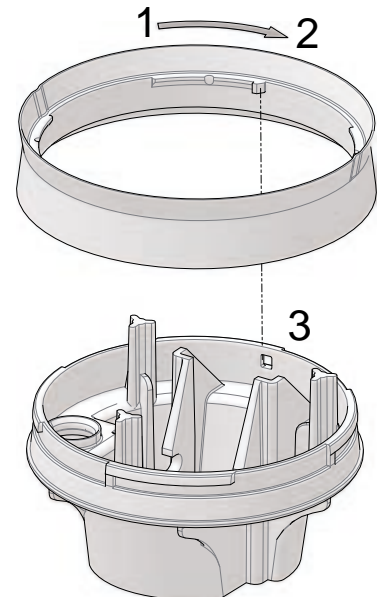
D30 0.003 - 0.03%

30m³/h - 0.003 - 0.03%
 132 GPM - 1: 30000 - 1: 3000
 0.5 - 8 bar
 7.25 - 116 psi

PCDI030

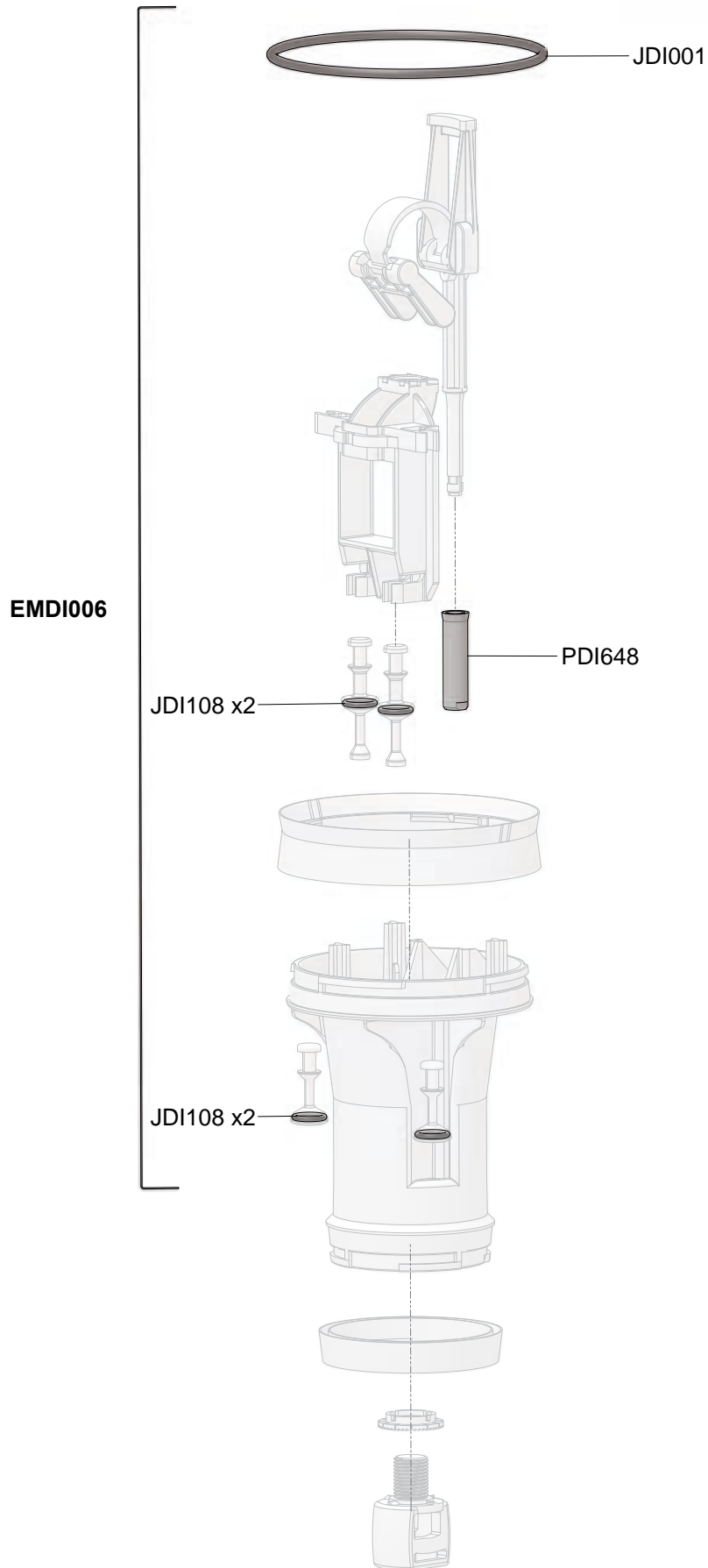


PDI034



D30 0.003 - 0.03%

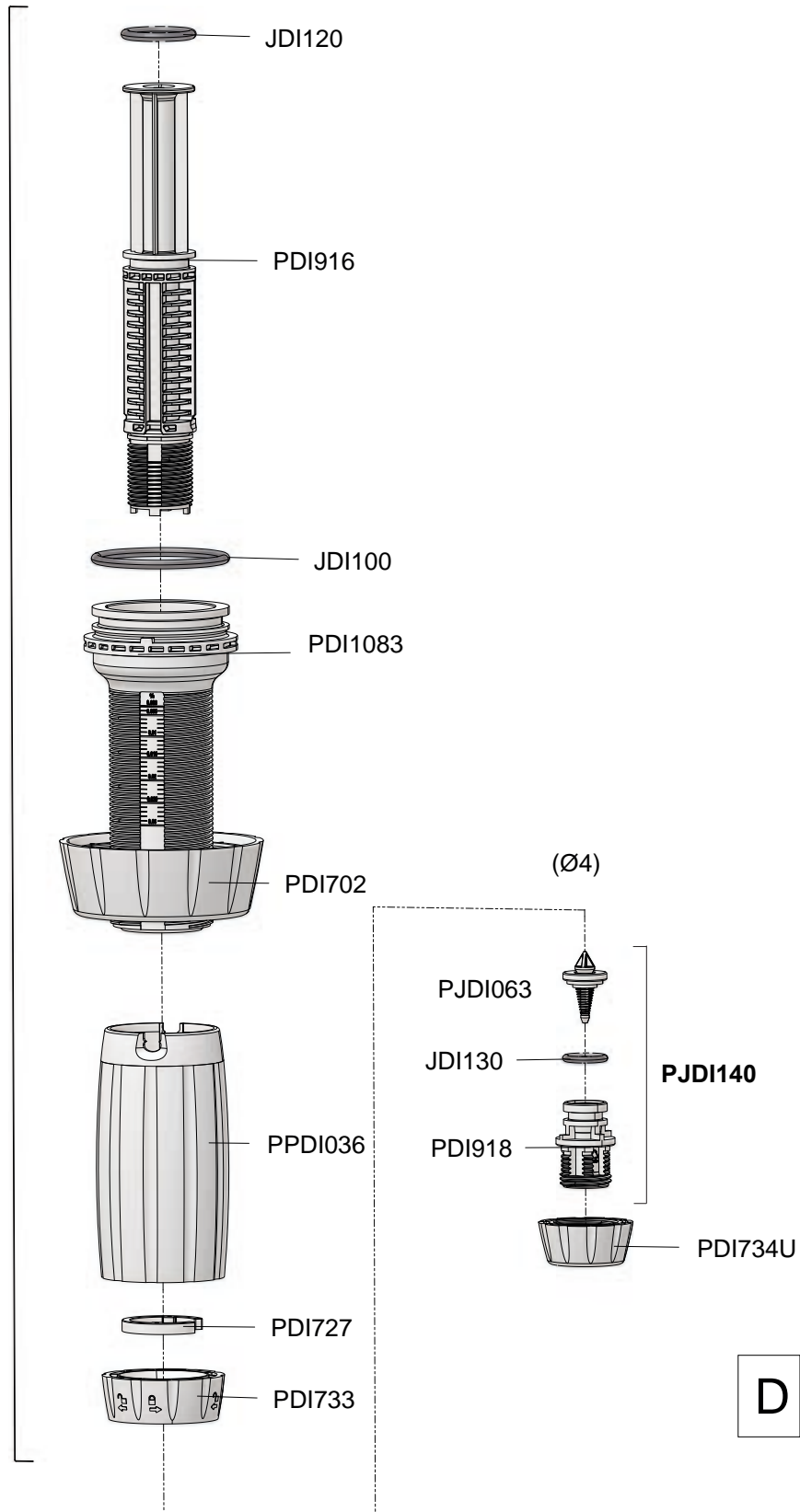
30m³/h - 0.003 - 0.03%
132 GPM - 1: 30000 - 1: 3000
0.5 - 8 bar
7.25 - 116 psi



D30 0.003 - 0.03%

30m³/h - 0.003 - 0.03%
132 GPM - 1: 30000 - 1: 3000
0.5 - 8 bar
7.25 - 116 psi

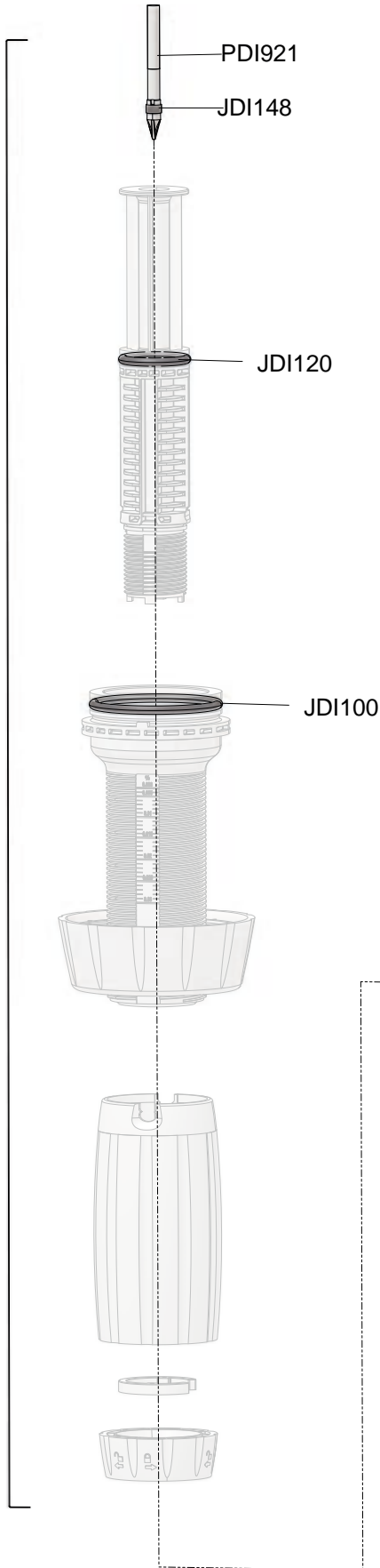
CDDI091



D30 0.003 - 0.03%

30m³/h - 0.003 - 0.03%
132 GPM - 1: 30000 - 1: 3000
0.5 - 8 bar
7.25 - 116 psi

PJD1139



(Ø4)

PJD1140

D

D30 0.003 - 0.03%

30m³/h - 0.003 - 0.03%
132 GPM - 1: 30000 - 1: 3000
0.5 - 8 bar
7.25 - 116 psi

