



ARIS-250

INTEGRATED RESERVOIR SYSTEM

The ARIS-250 ("APSCO Reservoir Integrated System") is our new integrated reservoir system, addressing the demand in the medium-duty truck markets for a cost-effective, electric over hydraulic option, with the important advantage of filtration of contaminants, which ultimately lowers the cost of maintenance and extends the life of the hydraulic system, bringing APSCO's longstanding history of quality into a new era.

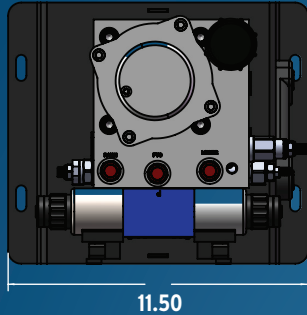
ARIS-250 KEY FEATURES

- Oil filtration standard for extended life
- Sight level gauge standard
- Compact, full-featured design
- Integrated hydraulic controls with reservoir
- Easy installation
- Available in 9-quart option
- Improved sealing over competitive designs
- Industry standard valve
- Ease of service and maintenance

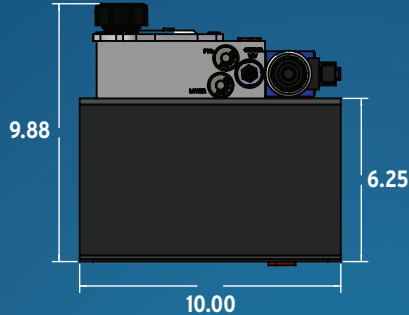


ADVANCED DESIGN AND PERFORMANCE SYSTEMS FROM APSCO

TOP VIEW



LEFT VIEW



ARIS-250

APSCO Reservoir
Integrated System

ARIS-250-PD1

ARIS Kit with Pendant

ARIS-PD1

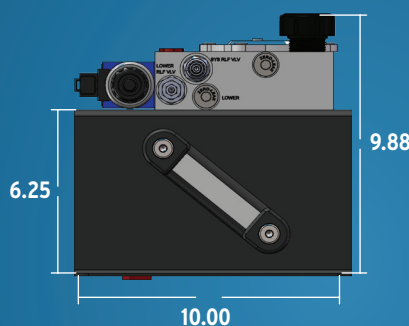
ARIS Up-Down Pendant

2X 10.50



2X 5.00

BOTTOM VIEW



RIGHT VIEW

Pressure.....Up to 3200 PSI raise
800 PSI lower
Electrical.....12 V DC / 2.72 A with Deutsch DT04-2P connectors
Ports.....SAE 6 (P, A, B)
1" NPT suction port
Capacity.....Up to 6 GPM pump flow

SEE OUR COMPLETE LINE AT APSCOPOWER.COM

