

NX43

NX series blowers due to their innovative design offer many advantages to the end user. The NX series blowers can be used as a direct replacement for most SN series blowers allowing a simple upgrade solution while minimizing downtime.

NX series features

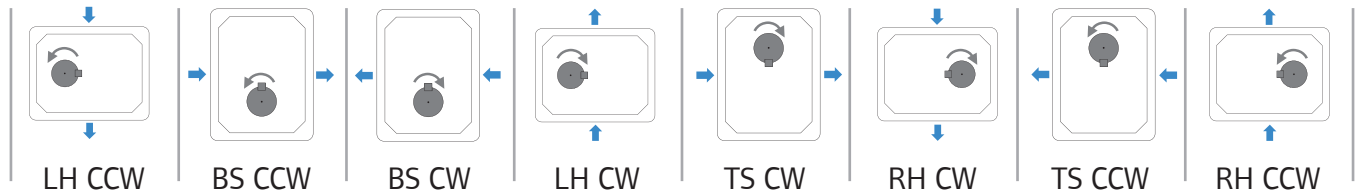
- Three lobe impellers
- Drop-in replacement of the SN series blowers
- Pre-set internal clearances
- Large capacity oil sump
- High flow oil thrower disc
- Set of standardized spare parts

Benefits

- Reliability and durability
- Ease of maintenance and pre-set clearances for reassembly
- Efficient Design, lower discharge temperatures
- Better bearing lubrication
- Less frequent oil changes

Better by Design

Configurations



Configuration	With feet	Without feet
LH CCW	F0171601001	•
BS CCW	F0171601101	•
BS CW	F0171601111	•
LH CW	F0171601011	•
TS CW	F0171601211	•
RH CW	F0171601311	•
TS CCW	F0171601201	•
RH CCW	F0171601301	•

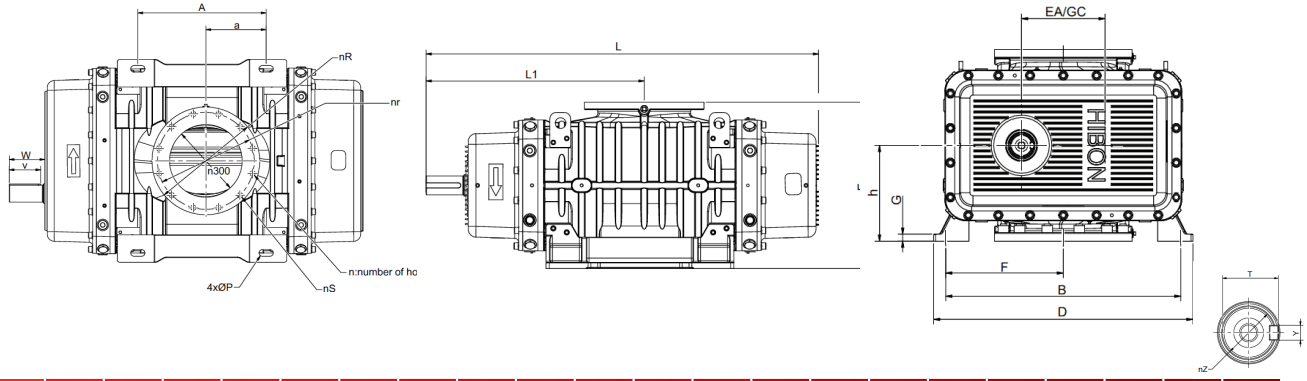
- ↻ Shaft rotation
- ➔ Air flow
- RH = Right hand shaft
- LH = Left hand shaft
- BS = Bottom shaft
- TS = Top shaft
- CW = Clockwise rotation
- CCW = Counter clockwise rotation

Performance chart

68 °F / 36%RH / 14.7 PSIA

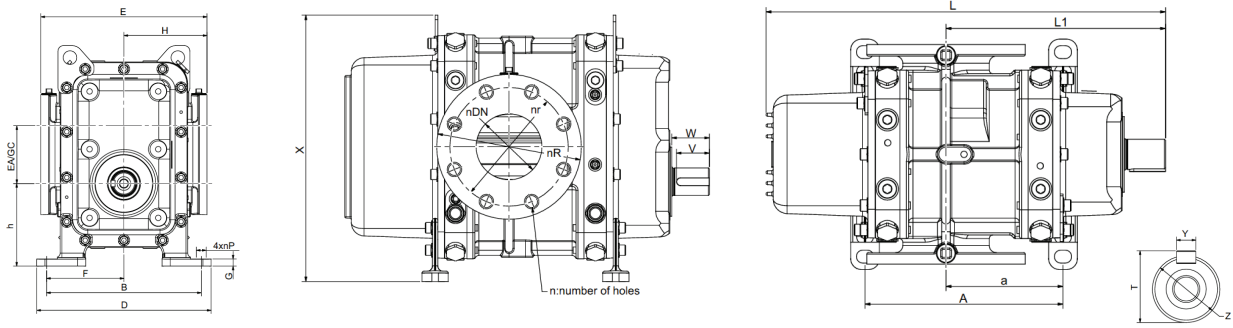
Rotation speed (rpm)	PRESSURE NX43 (3821 CFM)									
	4,5 psi		7,5 psi		10,5 psi		13 psi		14,5 psi	
	ACFM	BHP	ACFM	BHP	ACFM	BHP	ACFM	BHP	ACFM	BHP
1500	1248	31,6	1166	51,2	1100	71,7	1056	87,2	1016	102,6
2000	1998	47,5	1913	76,8	1843	107,7	1797	130,7	1755	153,8
2500	2749	63,3	2659	102,6	2586	143,5	2538	174,3	2494	205,0
3100	3499	79,1	3406	128,2	3329	179,4	3279	217,9	3233	256,3

NX43 Dimensions Position LH / RH



A	a	B	D	E	F	GC	G	h	L	L1	T	V	W	Y	ØZ*	ØR	Ør	ØDN	ØP	ØS	n
14.76	8.56	23.62	26.26	21.26	11.81	8.54	0.83	10.63	45.63	25.98	2.72	4.13	4.88	0.71	2.56	15.55	13.78	9.84	1.06	0.87	12

Position TS / BS



A	a	B	D	E	F	GC	G	H	h	L	L1	T	V	W	X	Y	ØZ*	ØR	Ør	ØDN	ØP	ØS	n
14.76	8.56	18.11	20.87	21.26	9.06	8.54	0.91	10.63	9.25	45.63	25.98	2.72	4.13	4.88	26.81	0.71	2.56	15.55	13.78	9.84	1.06	0.87	12

Notes:

1. In Inch unless otherwise noted.
2. Weight : 1708 lb
3. Do not use for construction

Spare parts

Kit 1 - STANDARD MAINTENANCE KIT	Kit 2 - SET OF RING HOLDERS	Kit 3 - SET OF GEARS	SIGHT GLASS	HIBON LUBE
<p>Contains all parts required for 40000 h. maintenance.</p>				

For more information about spares and accessories, contact your nearest Service Center or Ingersoll Rand - HIBON company.

Compressed Air Systems and Services

Hibon Inc
100 Voyageur, Pointe Claire, Quebec
Canada, H9R 6A8
Tel: 514 631-3501
Fax: 877 584 0307
www.hibon.com www.ingersollrand.com

Ingersoll Rand (NYSE:IR) advances the quality of life by creating comfortable, sustainable and efficient environments. Our people and our family of brands—including Club Car®, Ingersoll Rand®, Thermo King® and Trane®—work together to enhance the quality and comfort of air in homes and buildings; transport and protect food and perishables; and increase industrial productivity and efficiency. We are a \$13 billion global business committed to a world of sustainable progress and enduring results.

ingersollrandproducts.com - hibon.com
We are committed to using environmentally conscious print practices

Ingersoll Rand Air Solutions Hibon®
2 avenue Jean-Paul Sartre, 59290 WASQUEHAL France
Tel +33 (0) 3 20 45 39 45 (ligne directe)
Fax +33 (0) 3 20 45 39 20 (Fax Service)
email : hibon@irco.com



©2026 Ingersoll-Rand Company