



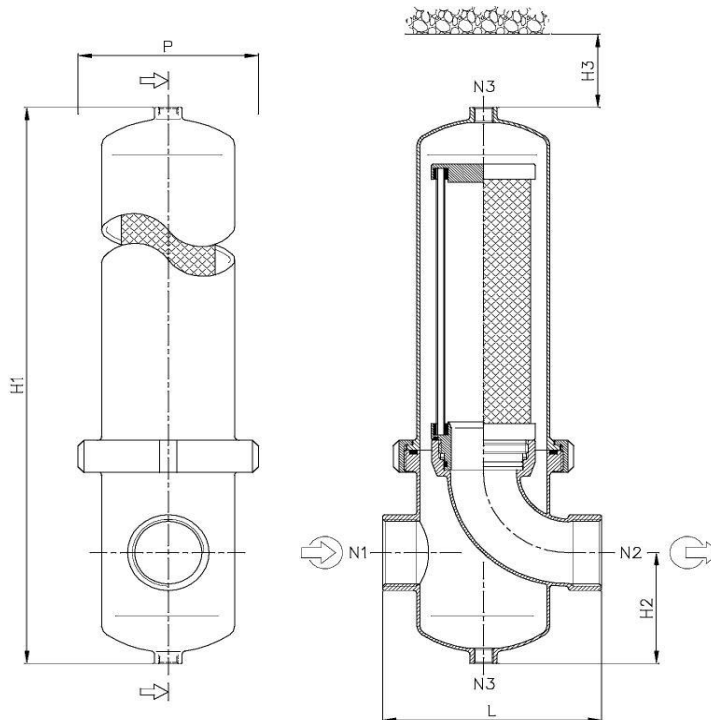
# STERILE FILTER SERIES

## “SF filters DATA SHEET

CCN : 47887464001

REVISION: A

DATE: 12-12-2024



▽▽▽ = AISI316L (1.4404) INTEGRAL 3-A SANITARY POLISH

FILTER CODE	ELEMENT CODE	Flow rate Sm <sup>3</sup> /h	DIMENSIONS - DIMENSIONI							WEIGHT (Kg.)	DESIGN DATA		ALLOWED FLUID
			<i>The dimensions are in mm and the weight including the filter with element</i>								TS	PS	
			N1 : N2	N3	L	P	H1	H2	H3				
SF 0042 BS	STERILE SF 0042	42	G 1/2"	G 1/4"	87	84	290	60	150	xx	-20 / +150 °C	16 bar	Air group 2 secondo as per ISO 8573-1 quality 1/2/2000
SF 0105 BS	STERILE SF 0105	105	G 1/2"	G 1/4"	87	84	290	60	150	xx	-20 / +150 °C	16 bar	
SF 0150 BS	STERILE SF 0150	150	G 1/2"	G 1/4"	87	84	290	60	150	xx	-20 / +150 °C	16 bar	
SF 0270 BS	STERILE SF 0270	270	G 1"	G 1/4"	136	100	405	77	150	xx	-20 / +150 °C	16 bar	
SF 0360 BS	STERILE SF 0360	360	G 1"	G 1/4"	136	100	405	77	150	xx	-20 / +150 °C	16 bar	
SF 0720 BS	STERILE SF 0720	720	G 1"1/2	G 1/4"	147	114	500	80	300	xx	-20 / +150 °C	16 bar	
SF 1080 BS	STERILE SF 1080	1080	G 2"	G 1/4"	187	138	710	93	300	xx	-20 / +150 °C	16 bar	
SF 1440 BS	STERILE SF 1440	1440	G 2"	G 1/4"	187	138	710	93	300	xx	-20 / +150 °C	16 bar	
SF 2160 BS	STERILE SF 2160	2160	G 3"	G 1/2"	257	185	940	125	300	xx	-20 / +150 °C	11 bar	
SF 2880 BS	STERILE SF 2880	2880	G 3"	G 1/2"	257	185	940	125	300	xx	-20 / +150 °C	11 bar	

Flow rate in the table referred to 7 bar(g)

FLOW RATE CORRECTION																
Operating pressure bar	1	2	3	4	5	6	7	8	9	10	11	12	13	14	15	16
Correction factors Qx	0,27	0,41	0,54	0,67	0,79	0,90	1,00	1,08	1,16	1,23	1,30	1,36	1,41	1,46	1,51	1,56