



16605925
Edition 3
May 2014

Air Riveter

AVC Series

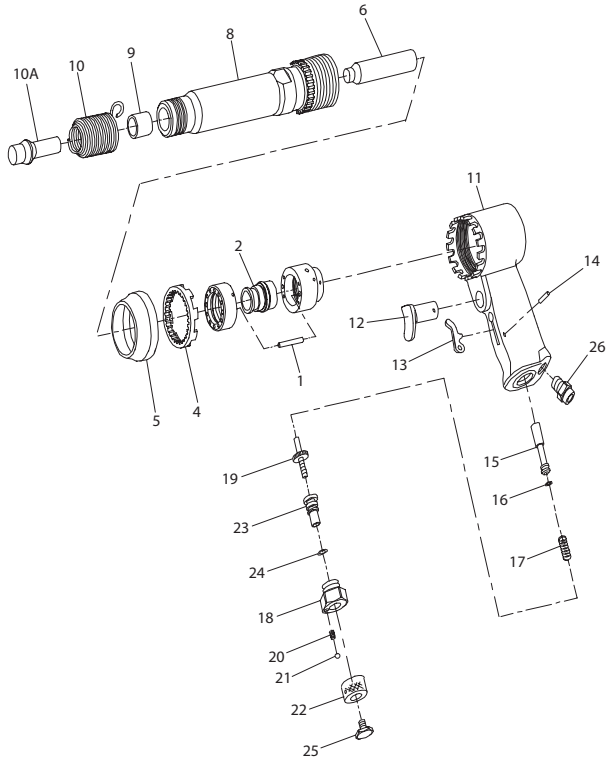
Parts Information



Save These Instructions

IR *Ingersoll Rand*

AVC Series Riveter with Offset Handle and built-in Regulator - Exploded View



(Dwg. TPB558-3)

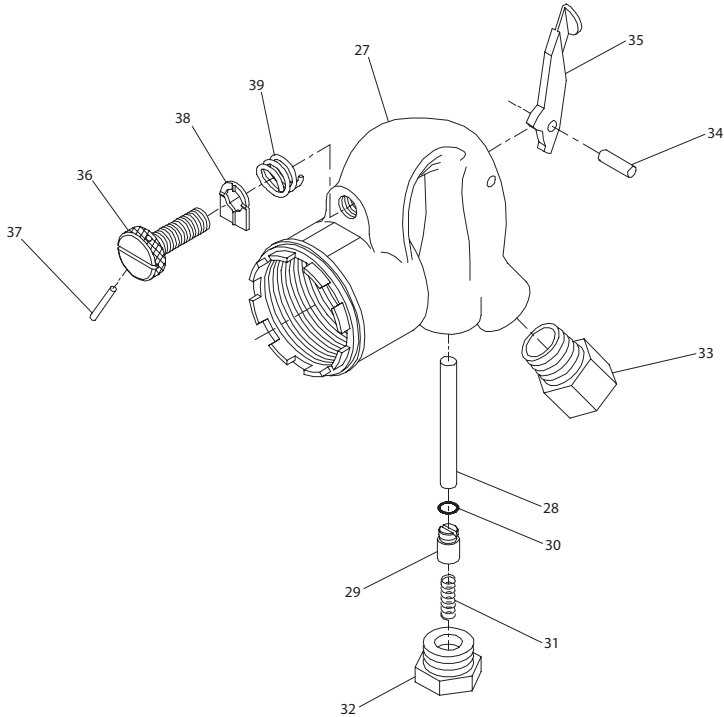
AVC Series Riveter with Offset Handle and built-in Regulator - Parts List

Item	Part Description	Part Number	
		AVC10, AVC12 and AVC13	AVC26
	Valve Box Assembly		
	for Model AVC10	AV10-A4	--
	for Models AVC12 and AVC13	AV11-A4	--
	for Model AVC26	--	AV24-A4A
♦ 1	Dowel Pin	AV11-32	AV11-32
♦ 2	Valve	AV11-2	AV24-2
3	Locking Key	AV11-34	--
4	Locking Ring	--	K-196A
• 5	Exhaust Deflector	AV11-85	K-85A
• 6	Piston		
	for Model AVC10	AV10-5	--
	for Models AVC12 and AVC13	AV12-5	--
	for Model AVC26	--	AV24-5A
7	Barrel		
	for Model AVC10 only	AVC10-6	--
	for Model AVC10-EU only	AVC10-EU-6	--
	for Model AVC12 only	AVC12-6	--
	for Model AVC12-EU only	AVC12-EU-6	--
	for Model AVC13	AVC13-6	--
	for Model AVC13-EU	AVC13-EU-6	--

Item	Part Description	Part Number	
		AVC10, AVC12 and AVC13	AVC26
*	Warning Label		
	for AVC10, AVC12 and AVC13	WARNING-6-99	--
	for AVC10-EU, AVC12-EU and AVC13-EU	EU-99	--
8	Barrel Assembly with 0.498" bore Nozzle		
	for AVC26	--	AVC26-A6A
	for AVC26-EU	--	AVC26-EU-A6A
*	Warning Label		
	for AVC26	--	WARNING-6-99
	for AVC26-EU	--	EU-99
9	Nozzle (0.498" bore)	--	AV24-219
	Nozzle (0.401" bore)	--	AV24-19
♦♦10	Safety Set Retainer		
	for 0.401" diameter Shanks (Beehive)	AVC1-83	AVC1-83
	for 0.498" diameter Shanks	--	AVC24-283
10A	Accessory Ingersoll Rand offers a complete line of Jacksets and Chisels. Inquire at nearest Office for types and prices.)		
11	Offset Handle	AV11-A59F	AV24-A59B
	Offset Handle (Bare Handle)	--	AV24-59B
•12	Trigger	AV1-93A	AV1-93A
•13	Intermediate Lever	AV1-56	AV1-56
♦14	Intermediate Lever Pin	LG2-191	LG2-191
15	Throttle Valve Assembly	AVC10-A302	AVC10-A302
♦♦16	Throttle Valve Seal	401-159	401-159
♦17	Throttle Valve Spring	H80-11	H80-11
	Throttle Adjuster Assembly	AV1-A250	AV1-A250
18	Throttle Adjuster Body	AV1-250	AV1-250
19	Throttle Adjuster Screw	AV1-252	AV1-252
♦20	Throttle Adjuster Stop Spring	AV1-256	AV1-256
♦21	Throttle Adjuster Stop Ball (1/8" diameter Steel)	AV1-255	AV1-255
22	Throttle Adjuster Knob	AV1-251	AV1-251
23	Throttle Adjuster Sleeve	AV1-253	AV1-253
♦24	Throttle Adjuster Sleeve Seal	ROBR1C-283	ROBR1C-283
25	Throttle Adjuster Cap Screw	AV1-254	AV1-254
26	Air Inlet Bushing	N00-82	N00-82
*	Quick-Change Rivet Set Retainer (for Jacksets with 0.401" diameter Shank)	AVC10-183A	AVC10-183A
*	Hose Whip (8' x 5/16" hose)	R0-130	R0-130
*	Male Hose Nipple (5/16" hose to 1/4" male pipe)	AV1-46	AV1-46
*	Female Hose Nipple (5/16" hose to 3/8" female pipe)	R1-47	R1-47
*	Tune-Up Kit (includes illustrated items 1, 2, 10, 14, 16, 17, 20, 21, 24, 105A and 108)	AVC10-TK2	--
*	Tune-Up Kit (includes illustrated items 1, 2, 10, 14, 16, 17, 20, 21 and 24)	--	AVC26-TK1

- Not Illustrated
- To keep downtime to a minimum, it is desirable to have on hand certain repair parts. We recommend that you stock one (pair or set) of each part indicated by a bullet (•) for every four tools in service.
- ♦ Indicates Tune-up Kit part.

AVC26B1 Pistol Grip Handle and built-in Regulator - Exploded View



(Dwg. TPA180)

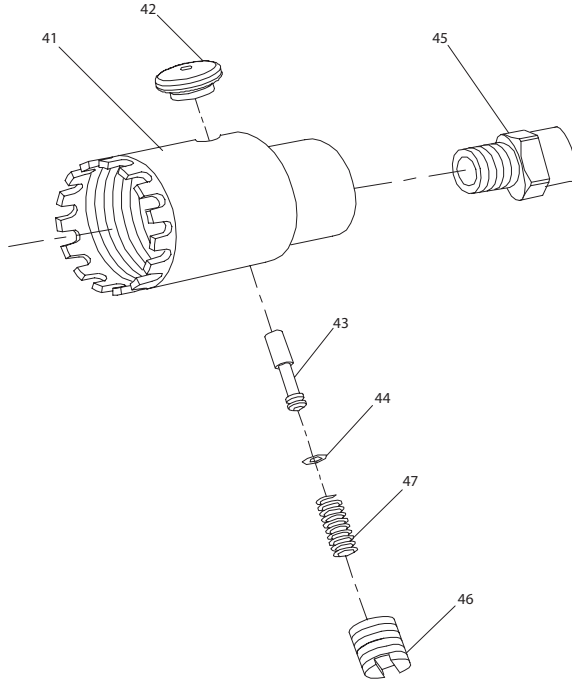
AVC26B1 Pistol Grip Handle and built-in Regulator - Parts List

Item	Part Description	Part Number
27	Pistol Grip Handle with Built-in Power Regulator	AV24-A1A
*	Warning Label	WARNING-6-99
28	Throttle Valve Plunger (can be furnished 0.005" or 0.010" Oversize, see Oversize Parts)	AV1-64
• 29	Throttle Valve	AVC11-402
30	Throttle Valve Face	AVC11-259
31	Throttle Valve Spring	H02-51
32	Throttle Valve Cap	AV1-109
33	Air Inlet Bushing	N00-82
34	Throttle Lever Pin	R1A-191
35	Throttle Lever	N00-78
36	Power Adjusting Valve	AV24-161
37	Adjusting Valve Stop Pin	502B-120
38	Adjusting Valve Washer	AV1-164
39	Adjusting Valve Spring	AV1-165

* Not Illustrated

- To keep downtime to a minimum, it is desirable to have on hand certain repair parts. We recommend that you stock one (pair or set) of each part indicated by a bullet (•) for every four tools in service.

AVC10, AVC12 and AVC13 Button Throttle Handle - Exploded View

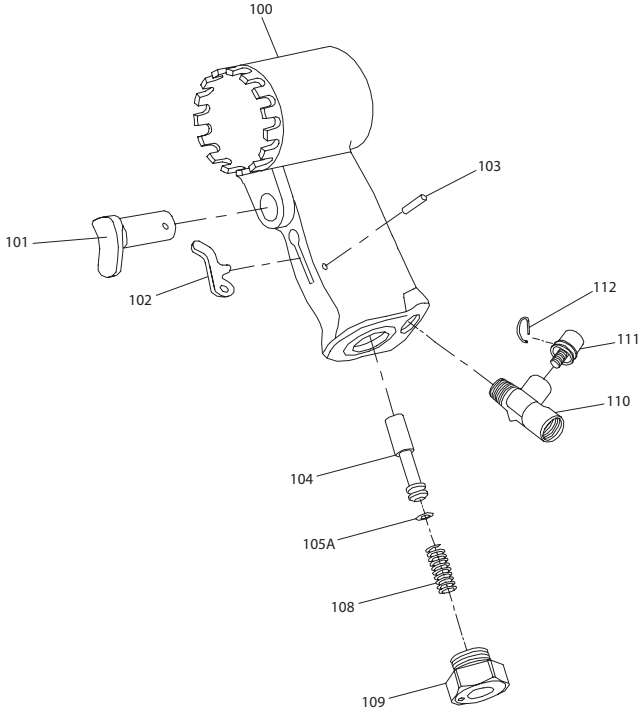


(Dwg. TPC139)

AVC10C1 Button Throttle Handle - Parts List

Item	Part Description	Part Number
40	Button Throttle Handle Assembly	AV11-A160
41	Head Block	AV11-160
42	Throttle Valve Button	R00AR2C-305A
43	Push Button Throttle Valve	AVC10C1-49
44	Button Throttle Valve Face	R2F-167
45	Air Inlet Bushing	N00-82
46	Button Throttle Valve Cap	WF-109A
47	Button Throttle Valve Spring	4U-664-10

AVC10, AVC12 and AVC13 Offset Handle with Independent Power Regulator - Exploded View



(Dwg. TPB129-1)

AVC10, AVC12 and AVC13 Offset Handle with Independent Power Regulator - Parts List

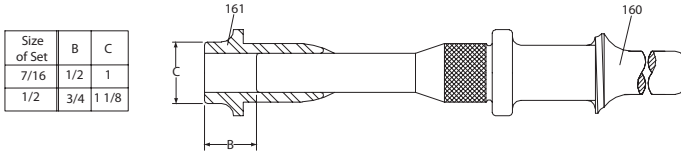
Item	Part Description	Part Number
100	Offset Handle with Independent Power Regulator	AV11-B59F
• 101	Trigger	AV1-93A
102	Intermediate Lever	AV1-56
103	Intermediate Lever Pin	LG2-191
104	Throttle Valve Assembly	AVC10-A302
♦♦ 105A	Throttle Valve Seal	401-159
♦ 108	Throttle Valve Spring	H80-11
109	Throttle Valve Cap	AV11-109
	Independent Power Regulator Assembly	AV11-A915
110	Independent Power Regulator Body	AV11-915
111	Independent Power Regulator Cap	AV11-916
112	Independent Power Regulator Spring (2)	AV11-917

- To keep downtime to a minimum, it is desirable to have on hand certain repair parts. We recommend that you stock one (pair or set) of each part indicated by a bullet (•) for every four tools in service.
- ♦ Indicates Tune-up Kit part.

Maintenance Tools

Operation	Part Description	Part Number
Removing or applying the Exhaust Deflector (5)	Exhaust Deflector Pliers	34SR-54

Centering Sleeve type Nail Set Assembly with Rubber Retainer



(Dwg. TPC591-1)

Item	Part Description	Part Number	
		0.401" Diameter Shank Nail Set Model	
		7/16"	1/2"
160	Nail Set Assembly	--	AVC12-A530-16
161	Centering Sleeve	AVC12-531-14	--

Parts and Maintenance

When the life of the tool has expired, it is recommended that the tool be disassembled, degreased and parts be separated by material so that they can be recycled.

Tool repair and maintenance should only be carried out by an authorized Service Center.

Refer all communications to the nearest **Ingersoll Rand** Office or Distributor.

Related Documentation

For additional information refer to:

Product Safety Information Manual 04581450.

Product Information Manual 03528742.

Maintenance Information Manual 16605933.

Manuals can be downloaded from ingersollrandproducts.com

ingersollrandproducts.com

© 2014 Ingersoll Rand

