



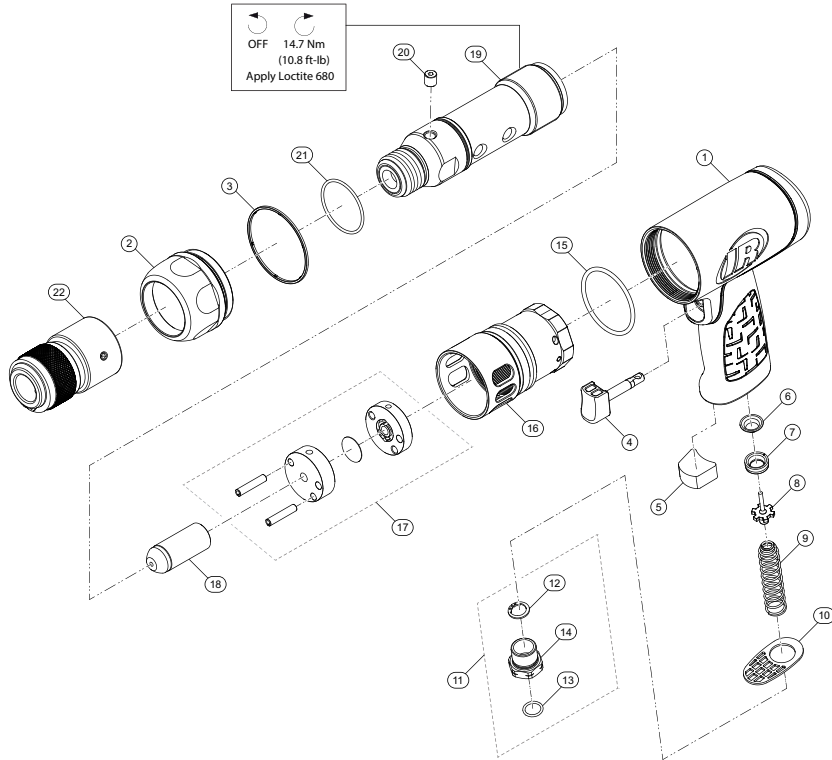
Percussive Air Hammer

130 Series

Parts Information



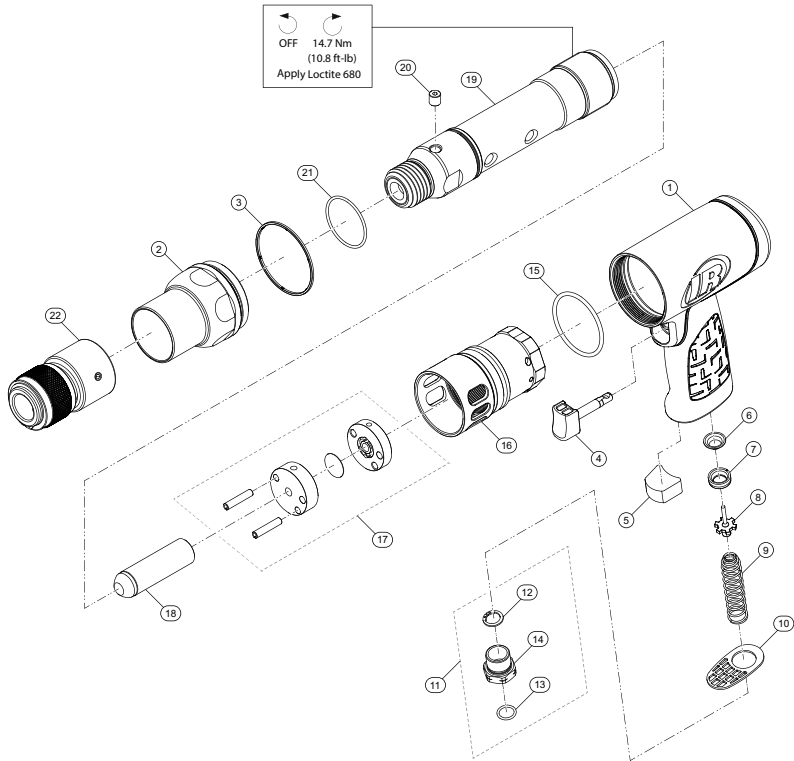
Save These Instructions

133MAX and 133MAXH, Air Hammer - Exploded View

(Dwg.TL-130-PLM-1)

133MAX and 133MAXH, Air Hammer - Parts List

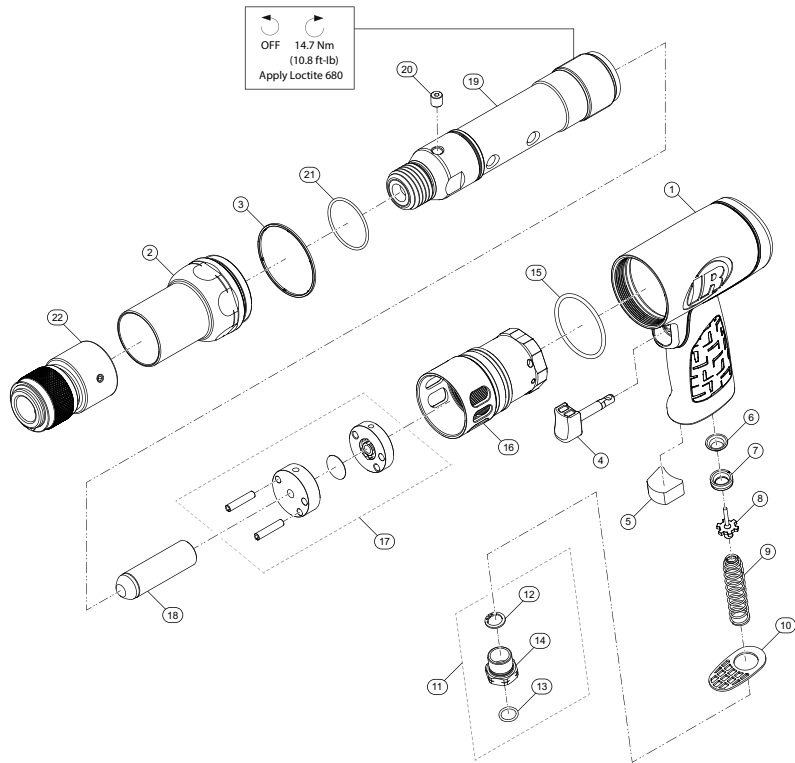
| Item | Part Description | Part Number (CCN) | Item | Part Description | Part Number (CCN) |
|------|---------------------|----------------------|---|-----------------------|-------------------|
| 1 | Housing | TA-133MAXH-59A | * 16 | Rear Cushion | 123MAX-304 |
| 2 | Front Bearing Plate | TP-133MAX-27 | 17 | Valve Assembly | 135MAX-4A |
| 3 | Washer | 135MAX-36 | | Valve Unit (Rear) | --- |
| 4 | Trigger Unit | 135MAX-93 | | Valve Seal | --- |
| 5 | Muffler | 122MAX-99 (47125935) | | Valve Unit (Front) | --- |
| 6 | Seal Bushing | 135MAX-38 | | Hammer Pin | --- |
| * 7 | Seal | 135MAX-272 | * 18 | Main Piston | TP-133MAX-020 |
| * 8 | Tip Valve | 135MAX-302 | | Cylinder | --- |
| 9 | Spring | 135MAX-51 | * 19 | For Round Version | TP-133MAX-6 |
| 10 | Deflector | 135MAX-123 | | For Hex Version | TP-133MAXH-6 |
| 11 | Air Inlet Assembly | 529-565X (46816047) | 20 | Screw | 135MAX-78 |
| 12 | Snap Ring | --- | * 21 | O-Ring | 135MAX-367 |
| 13 | O-Ring | --- | * 22 | Quick Change Retainer | 9514 (47760465) |
| 14 | Air Inlet | --- | * Indicates common-wear parts. To minimize downtime, it is recommended to maintain a stock of these repair parts and keep one (pair or set) of each part for every four tools in service. | | |
| * 15 | O-Ring | (47126099) | | | |

135MAX and 135MAXH, Air Hammer - Exploded View

(Dwg. TL-130-PLM-2)

135MAX and 135MAXH, Air Hammer - Parts List

| Item | Part Description | Part Number (CCN) | Item | Part Description | Part Number (CCN) |
|------|--------------------|----------------------|---|-----------------------|-------------------|
| 1 | Housing | 135MAX-59A | * 16 | Rear Cushion | 123MAX-304 |
| 2 | Front Cap | 135MAX-27 | 17 | Valve Assembly | 135MAX-4A |
| 3 | Washer | 135MAX-36 | | Valve Unit (Rear) | --- |
| 4 | Trigger Unit | 135MAX-93 | | Valve Seal | --- |
| 5 | Muffler | 122MAX-99 (47125935) | | Valve Unit (Front) | --- |
| 6 | Seal Bushing | 135MAX-38 | | Hammer Pin | --- |
| * 7 | Seal | 135MAX-272 | * 18 | Main Piston | (47127816) |
| * 8 | Tip Valve | 135MAX-302 | * 19 | Cylinder | --- |
| 9 | Spring | 135MAX-51 | | For Round Version | 135MAX-6 |
| 10 | Deflector | 135MAX-123 | | For Hex Version | TP-135MAXH-6 |
| 11 | Air Inlet Assembly | 529-565X (46816047) | 20 | Screw | 135MAX-78 |
| 12 | Snap Ring | --- | * 21 | O-Ring | 135MAX-367 |
| 13 | O-Ring | --- | * 22 | Quick Change Retainer | 9514 (47760465) |
| 14 | Air Inlet | --- | * Indicates common-wear parts. To minimize downtime, it is recommended to maintain a stock of these repair parts and keep one (pair or set) of each part for every four tools in service. | | |
| * 15 | O-Ring | (47126099) | | | |

139MAX and 139MAXH, Air Hammer - Exploded View

(Dwg. TL-130-PLM-3)

139MAX and 139MAXH, Air Hammer - Parts List

| Item | Part Description | Part Number (CCN) | Item | Part Description | Part Number (CCN) |
|------|---------------------|----------------------|---|-----------------------|-------------------|
| 1 | Housing | TA-139MAXH-59A | * 16 | Rear Cushion | 123MAX-304 |
| 2 | Front Bearing Plate | TP-139MAX-27 | 17 | Valve Assembly | 135MAX-4A |
| 3 | Washer | 135MAX-36 | | Valve Unit (Rear) | --- |
| 4 | Trigger Unit | 135MAX-93 | | Valve Seal | --- |
| 5 | Muffler | 122MAX-99 (47125935) | | Valve Unit (Front) | --- |
| 6 | Seal Bushing | 135MAX-38 | | Hammer Pin | --- |
| * 7 | Seal | 135MAX-272 | * 18 | Main Piston | (47127816) |
| * 8 | Tip Valve | 135MAX-302 | * 19 | Cylinder | --- |
| 9 | Spring | 135MAX-51 | | For Round Version | TP-139MAX-6 |
| 10 | Deflector | 135MAX-123 | | For Hex Version | TP-139MAXH-6 |
| 11 | Air Inlet Assembly | 529-565X (46816047) | 20 | Screw | 135MAX-78 |
| 12 | Snap Ring | --- | * 21 | O-Ring | 135MAX-367 |
| 13 | O-Ring | --- | * 22 | Quick Change Retainer | 9514 (47760465) |
| 14 | Air Inlet | --- | * Indicates common-wear parts. To minimize downtime, it is recommended to maintain a stock of these repair parts and keep one (pair or set) of each part for every four tools in service. | | |
| * 15 | O-Ring | (47126099) | | | |

Parts and Maintenance

When tool life has expired, it is recommended that the tool be disassembled, degreased and parts separated by material for proper recycling.

Tool repair and maintenance should only be carried out by an Authorized service center.

Refer all communications to the nearest **Ingersoll Rand** office or distributor.

Related Documentation

Manuals can be downloaded from irtools.com/manuals

For additional information, refer to:

Product Safety Information Manual 04581450

Product Information Manual TL-130-PIM

CE-Declaration of Conformity TL-130-DOC

UK-Declaration of Conformity TL-130-DOC-UK

Notes:

Notes:

