



IQV Batteries and Battery Chargers

BL1203, BL2012, BL2022, and BL4011

BC1110, BC1124, BC1161, BC1221, and BC1221-EU

User Manual

- EN** User Manual
- ES** Manual del Usuario
- FR** Manuel d'Utilisation
- PT** Manual do Usuário

EN

This manual contains safety and product information for

- IQV Batteries
- IQV Battery Chargers

This manual contains parts lists for

- IQV Battery Chargers

ES

Este manual contiene información de seguridad y de producto de

- Baterías IQV
- Cargadores de baterías IQV

Este manual contiene la lista de piezas de

- Cargadores de baterías IQV

FR

Ce manuel contient les informations de sécurité et de renseignements sur le produit pour

- Batteries IQV
- Chargeurs de batterie IQV

Ce manuel contient des listes de pièces pour

- Chargeurs de batterie IQV

PT

Este manual contém informações de segurança e sobre produtos para

- Baterias IQV
- Carregadores de baterias IQV

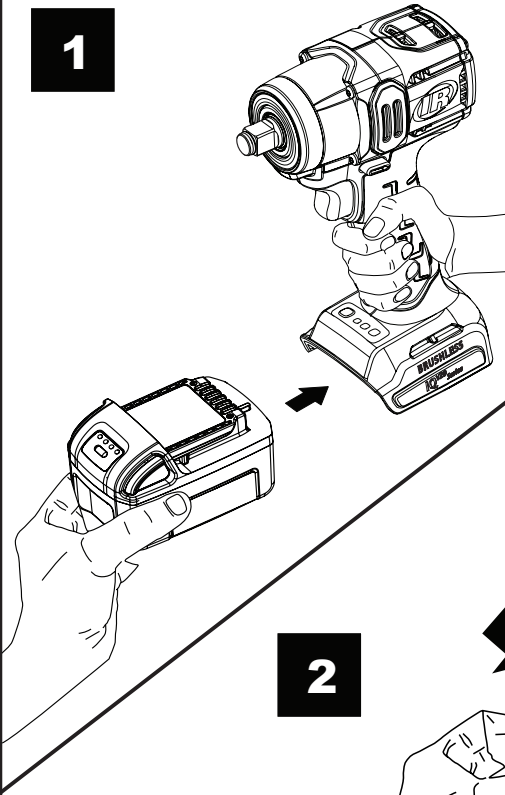
Este manual contém listas de peças para:

- Carregadores de baterias IQV

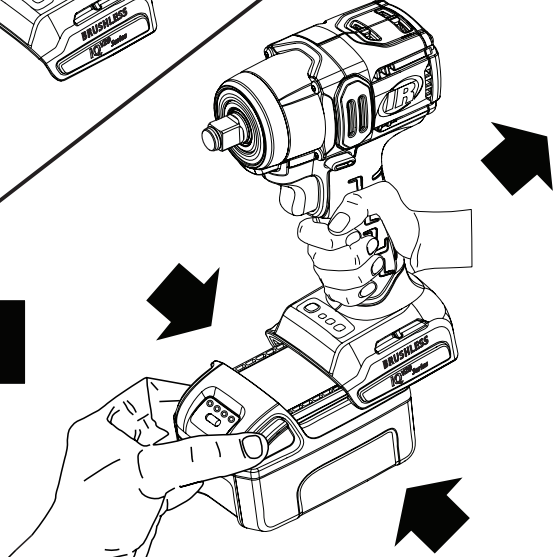


Save These Instructions

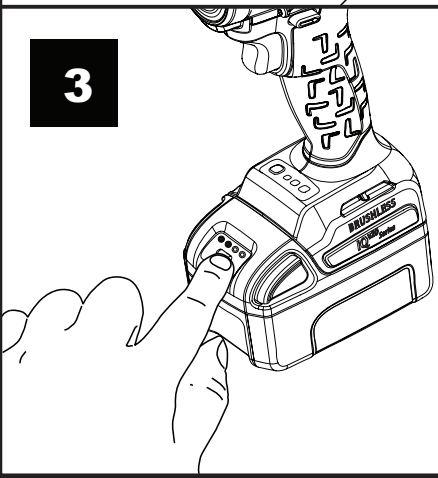
1



2



3



- ● ● ● = 75-100%
- ● ● = 50-75%
- ● = 25-50%
- = < 25%

Safety Symbol Identification



Risk of
Electric Shock



Indoor Use Only



Read Manuals before
Operating Product

(Dwg. 16590275_EN)

Safety Information - Explanation of Safety Signal Words

DANGER	Indicates an imminently hazardous situation which, if not avoided, will result in death or serious injury.
WARNING	Indicates a potentially hazardous situation which, if not avoided, could result in death or serious injury.
CAUTION	Indicates a potentially hazardous situation which, if not avoided, may result in minor or moderate injury or property damage.
NOTICE	Indicates information or a company policy that relates directly or indirectly to the safety of personnel or protection of property.

Symbol Identification



Return waste material for recycling.



Do not dispose of this product with
household waste material.



Product contains Lithium-ion. Do not dispose of
this product with household waste material.

Safety Guidelines for Batteries

Intended Use:

A Battery is an electric energy storage device used as the power source for **Ingersoll Rand** cordless products.

WARNING

⚠ WARNING: Read all safety warnings, instructions, illustrations, and specifications provided with this power tool. Failure to follow the warnings and instructions may result in electric shock, fire, and/or serious injury.

General Battery Safety Warnings

- **Save all warnings and instructions for future reference.**
- **It is your responsibility to make this safety information available to others that will operate this product.** Failure to follow standards and regulations can cause personal injury.
- **Always install, operate, inspect, and maintain this product in accordance with all applicable standards and regulations (local, state, country, federal, etc.).** Compliance is your responsibility. Failure to follow standards and regulations can cause personal injury.
- The term 'power tool' in the warnings refers to your Battery-operated (cordless) power tool.

Electrical Safety

- **Do not expose Batteries or power tools to rain or wet conditions.** Water entering a Battery or power tool will increase the risk of electric shock.

Personal Safety

- **Do not modify this product, safety devices, or accessories.** Unauthorized modifications may result in electric shock, fire, or personal injury.

Battery and Power Tool Use and Care

- **Recharge only with the Charger specified by the manufacturer.** A Charger that is suitable for one type of Battery pack may create a risk of fire when used with another Battery pack. See Charger Product Information manual for additional Charger specific warnings.
- **Use power tools only with specifically designated Battery packs.** Use of any other Battery packs may create a risk of injury and fire.
- **When Battery pack is not in use, keep it away from other metal objects, like paper clips, coins, keys, nails, screws, or other small metal objects, that can make a connection from one terminal to another.** Shorting the Battery terminals together may cause burns or a fire.
- **Under abusive conditions, liquid may be ejected from the Battery; avoid contact. If contact accidentally occurs, flush with water. If liquid contacts eyes, additionally seek medical help.** Liquid ejected from the Battery may cause irritation or burns.
- **Do not use a Battery pack or tool that is damaged or modified.** Damaged or modified Batteries may exhibit unpredictable behavior resulting in fire, explosion, or risk of injury.
- **Do not expose a Battery pack or tool to fire or excessive temperature.** Exposure to fire or temperature above 130 °C (265 °F) may cause explosion.
- **Follow all charging instructions and do not charge the Battery pack or tool outside the temperature range specified in the instructions.** Charging improperly or at temperatures outside the specified range may damage the Battery and increase the risk of fire.
- **Store idle Batteries and power tools out of the reach of children and do not allow persons unfamiliar with the Battery or power tool or these instructions to operate the Battery or power tool.** Batteries and power tools are dangerous in the hands of untrained users.
- **Use the Battery, power tool, accessories, and tool bits etc. in accordance with these instructions, taking into account the working conditions and the work to be performed.** Use of the Battery or power tool for operations different from those intended could result in a hazardous situation.

- **Immediately stop use and replace any Battery that gets excessively warm in use or offers very short usage times.** Typically these Batteries have a high number of charge/discharge cycles or may be old or damaged. Continuing to use an impaired Battery may result in injury or property damage from heat, fire, or explosion.
- **Do not remove any Labels. Replace any damaged Label.** Labels provide information required for safe use of the product.
- **Do not subject Batteries to mechanical shock.**
- **Do not leave a Battery ON prolonged charge when not in use.**
- **When possible, remove the Battery from the equipment when not in use.**
- **Do not use Batteries which have been physically damaged.**

Service

- **Never service damaged Battery packs.** Service of Battery packs should only be performed by the manufacturer or Authorized service providers.
- **Do not dispose of Batteries in fire, incinerate, or heat above 100 °C (212 °F).** Batteries present a risk of fire or chemical burn if mistreated.
- **Responsibly recycle or dispose of Batteries in accordance with all applicable standards and regulations (local, state, country, federal, etc.).** Improper disposal may endanger the environment.
- **Do not open Cover or Casing. There are no user serviceable items inside.** Electric shock or other personal injury may result.

Product Specifications: Battery

Models	Chemistry	Voltage (V)	Capacity (Ah)	Weight lb (kg)
BL1203	Lithium-ion	12	2.0	0.55 (0.25)
BL2012		20	2.5	0.90 (0.41)
BL2022			5.0	1.52 (0.69)
BL4011		40	2.5	

Operating Temperatures

Rechargeable Batteries give their best performance when they are operated at a normal room temperature of 15 °C to 25 °C (59 °F to 77 °F). An excessively hot or cold Battery may prevent or interrupt the Battery from being charged or discharged.

Parts and Maintenance

Labels are the only user replaceable parts.

Models	Warning Labels
BL1203	BL12-99
BL2012	BL20-99-3 and BL2012-99-AP5
BL2022	BL20-99-4 and BL2022-99-AP5
BL4011	BL40-99 and BL4011-99-AP5

Refer all communications to the nearest **Ingersoll Rand** office or distributor.

Product Parts Information

CAUTION

- **The use of other than genuine Ingersoll Rand replacement parts may result in safety hazards, decreased tool performance and increased maintenance, and may invalidate all warranties.**
- **Repairs should be made only by Authorized trained personnel. Consult your nearest Ingersoll Rand Authorized Service Center.**

Environmental Protection

When life of **Ingersoll Rand** electrical product has expired, it must be recycled in accordance with all applicable standards and regulations (local, state, country, federal, etc.). Improper disposal may endanger environment.

General Information

NOTICE

Original instructions are in English. Other languages are a translation of the original instructions.

Manuals can be downloaded from ingersollrand.com


Refer all communications to the nearest **Ingersoll Rand** office or distributor.

Safety Guidelines for Battery Charger

Intended Use:

A Battery Charger is an electrical device that converts alternating current electric power to direct current electric power used to charge electric storage Batteries. This Battery Charger is designed for charging **Ingersoll Rand** Batteries only.

WARNING

 **WARNING: Read all safety warnings, instructions, illustrations, and specifications provided with this power tool.** Failure to follow all instructions listed below, may result in electric shock, fire, and/or serious personal injury.

General Safety Rules

- **It is your responsibility to make this safety information available to others that will operate this product.** Failure to follow standards and regulations can cause personal injury.
- **Always install, operate, inspect, and maintain this product in accordance with all applicable standards and regulations (local, state, country, federal, etc.).** Compliance is your responsibility. Failure to follow standards and regulations can cause personal injury.

- **This Product can be used by children aged from 8 years and above and persons with reduced physical, sensory, or mental capabilities or lack of experience and knowledge if they have been given supervision or instruction concerning use of the Product in a safe way and understand the hazards involved. Children shall not play with the Product. Cleaning and user maintenance shall not be made by children without supervision.**

Work Area Safety

- **Do not operate Battery Charger in explosive atmospheres, such as in the presence of flammable liquids, gases, or dust.** A Battery Charger may create sparks which may ignite the dust or fumes.

Electrical Safety

- **Double insulated products are equipped with a polarized plug (one blade is wider than the other). This plug will fit in a polarized outlet only one way. If the plug does not fit fully in the outlet, reverse the plug. If it still does not fit, contact a qualified electrician to install a polarized outlet. Do not change the plug in any way.** Double insulation eliminates the need for the three wire grounded power Cord and grounded power supply system.
- **Do not abuse the Cord. Never use the Cord for carrying, pulling, or unplugging the power tool. Keep Cord away from heat, oil, sharp edges, or moving parts.** Damaged or entangled Cords increase the risk of electric shock.
- **A Battery powered product with integral Batteries or a separate Battery pack must be recharged only with the specified Charger for the Battery.** A Charger that may be suitable for one type of Battery may create a risk of fire when used with another Battery.
- **Charger is for indoor use only. Do not expose Charger to rain. Do not use Charger in damp or wet locations.** Electric shock or other personal injury may result.
- **Always use specified supply voltage.** Incorrect voltage can cause electrical shock, fire, abnormal operation, and may result in personal injury.
- **Avoid contacting the Battery charging terminals with fingers, wire, or other conductive material. Only connect to approved Ingersoll Rand Battery.** Electric shock or other personal injury may result.
- **Do not attempt to recharge non-rechargeable Batteries.** Electric shock, fire, or personal injury may result.

Personal Safety

- **Do not modify this product, safety devices, or accessories.** Unauthorized modifications may result in electric shock, fire, or personal injury.
- **Do not use this product for purposes other than those recommended.** Electric shock, fire, or other personal injury may result.
- **Locate the Charger in a stable position prior to plugging into a power source. Keep the Charger out of reach of children.** Improper location or use by children may result in electric shock, fire, or personal injury.

Use and Care

- **Never use a damaged or malfunctioning Charger. Immediately unplug Charger and get it repaired or replaced.** Continued use may result in electric shock, fire, or personal injury.
- **Do not remove any Labels. Replace any damaged Label.** Labels provide information required for safe use of the product.

Service

- **Service must only be performed by an Authorized Ingersoll Rand Service Center or similarly qualified repair personnel.** Service or maintenance performed by unqualified personnel could result in a risk of injury. Consult your nearest **Ingersoll Rand** Authorized Service Center.
- **Do not open Cover or Casing. There are no user serviceable items inside.** Electric shock or other personal injury may result.
- **If the supply Cord is damaged, it must be replaced by an Ingersoll Rand Authorized Service Center or similarly qualified repair personnel.** Damaged and improperly installed Cords increase the risk of electric shock.

Product Safety Information

WARNING

Important safety instructions - Save these instructions.

DANGER

To reduce the risk of fire or electric shock, carefully follow these instructions.

WARNING

- **Only use Ingersoll Rand Charger with Ingersoll Rand IQV12, IQV20, and IQV40 Series Li-ion Batteries.** Use of other Batteries or Chargers may create a risk of fire or may cause Battery to burst when charging. Personal injury or property damage may result.
- **Charger is not user serviceable. Repair should only be carried out by an Ingersoll Rand Authorized Service Center.** User service may result in electric shock, fire, and/or serious personal injury.
- **The BC1110 is a Class A product. In a residential, commercial, or light industrial environment it may cause radio interference.** This product is not intended to be installed in a residential environment; in a commercial and light industrial environment with connection to the public mains supply, the user may be required to take measures to reduce interference.
- **This product is not intended to be used by travelers.**

Product Parts Information

CAUTION

- **The use of other than genuine Ingersoll Rand replacement parts may result in safety hazards, decreased tool performance and increased maintenance, and may invalidate all warranties.**
- **Repairs should be made only by Authorized trained personnel. Consult your nearest Ingersoll Rand Authorized Service Center.**

Product Specifications: Battery Charger

Models	BC1110	BC1124	BC1221	BC1221-EU	BC1161
Charger Input	100-240 V AC ~ 50-60 Hz, 30 W, 50-70 VA	100-240 V AC ~ 50-60 Hz, 100 W, 160-215 VA	100-240 V AC ~ 50-60 Hz, 200 W, 320-395 VA	220-240 V AC ~ 50-60 Hz, 200 W, 340 VA	100-240 V AC ~ 50-60 Hz, 100 W, 160-215 VA
Charger Output	12.6 V DC, 2.0 A	12 V DC 2.0 A / 20 V DC 4.0 A	12.6 V DC, 2.0 A (x2) 21 V DC, 4.0 A (x2)		42 V DC, 2.0 A
Battery Models	BL1203 (2.0 Ah)	BL1203 (2.0 Ah), BL2012 (2.5 Ah) and BL2022 (5.0 Ah)			BL4011 (2.5 Ah)
USB Output	USB Type A, 5 V DC, 500 mA, D+/D- Connected, 200 Ω	N/A	USB Type A, 5 V DC, 500 mA, D+/D- Connected, 200 Ω		

Instructions for Charging Battery

The Charger shall be installed near a socket-outlet that is easily accessible.

Do not charge Battery pack when temperature is below 0 °C (32 °F) or above 45 °C (113 °F).

Completely charge new Battery packs before using. **Charging time is approximately 60-90 minutes.** Unplug Charger and remove Battery pack when not in use.

The dual bay Charger is capable of independent and simultaneous charging of 12 V and 20 V Batteries.

Action	Condition	BC1110		BC1124, BC1161, BC1221, and BC1221-EU			
		Charger Display		Charger Display		Alarm (Sound)	Fuel Gauge
		Green	Red	Green	Red		
Plug Charger into AC power outlet.	Power ON (Stand-By)	1 x *	1 x *	●	○	---	○○○○
Insert Battery pack into Charger.	Charging Fuel gauge will indicate state of charge.	*	○	●	○	---	*○○○ └
	Communications Failure Battery Identification/Read Fault Reinsert Battery. Battery may be defective.	○	●	○	●	Low ♪	○○○○
	Initial Temperature Charging paused until Battery has returned to safe temperature.	○	2 x *	○	2 x *	Low ♪	○○○○
	Time Out Charge time exceeded. Battery may be defective.	○	3 x *	○	3 x *	Low ♪	○○○○
	In Cycle Temperature Charging paused until Battery has returned to safe temperature.	○	4 x *	○	4 x *	Low ♪	○○○○
	Over Voltage High voltage detected. Battery may be defective.	○	5 x *	○	5 x *	Low ♪	○○○○
	Over Current High current detected. Battery may be defective.	○	6 x *	○	6 x *	Low ♪	○○○○
	Charge Completed	●	○	●	○	High ♪	●●●●
Remove Battery pack.	Battery Pack Removed.	1 x *	1 x *	●	○	High ♪	---

Legend: * Flash ● ON ○ OFF

Routine Maintenance

Unplug Charger before cleaning. Plastic surfaces should only be cleaned with a slightly damp cloth. Keep vents free of dust and debris. Charger should not be used with a damaged Cord. Replacement Cords and Labels are available at nearest Authorized **Ingersoll Rand** Service Center.

Refer all communications to nearest **Ingersoll Rand** office or distributor.

Environmental Protection

When life of **Ingersoll Rand** electrical product has expired, it must be recycled in accordance with all applicable standards and regulations (local, state, country, federal, etc.). Improper disposal may endanger environment.

General Information

NOTICE

Original instructions are in English. Other languages are a translation of the original instructions.

Manuals can be downloaded from ingersollrand.com

Refer all communications to the nearest **Ingersoll Rand** office or distributor.

Identificación de los Símbolos de Seguridad



Riesgo de descarga eléctrica



Sólo para uso interior



Lea los manuales antes de utilizar el producto

(Plano 16590275_ES)

Información de Seguridad - Explicación de los Mensajes de las Señales de Seguridad

	PELIGRO	Indica una situación de peligro inminente que, de no evitarse, resultaría en lesiones graves o muerte.
	ADVERTENCIA	Indica una situación potencialmente peligrosa que, de no evitarse, podría resultar en lesiones graves o muerte.
	PRECAUCIÓN	Indica una situación potencialmente peligrosa que, de no evitarse, podría producir lesiones de leves a moderadas o daños en la propiedad.
	AVISO	Indica información o una política de la empresa directa o indirectamente relacionada con la seguridad del personal o la protección de la propiedad.

Identificación de símbolos



Recicle este producto.



No se deshaga de este producto de la forma habitual.



Este producto contiene litio-ion No se deshaga de este producto de la forma habitual.

Normas de seguridad para las pilas

Uso indicado:

Una batería es un dispositivo de almacenamiento de energía eléctrica que se utiliza como fuente de alimentación para los productos inalámbricos de **Ingersoll Rand**.

ADVERTENCIA

ADVERTENCIA: Consulte todas las advertencias de seguridad, instrucciones, ilustraciones y especificaciones que acompañan a esta herramienta motorizada. No respetar los avisos e instrucciones puede resultar en descarga eléctrica, incendio o daños graves.

Advertencias de seguridad generales de la batería

- **Guarde todos los avisos e instrucciones para su futura consulta.**
- **Es su responsabilidad poner esta información de seguridad a disposición de quienes vayan a utilizar el aparato.** Si no se siguen estas regulaciones y estándares, pueden producirse lesiones corporales.
- **Instale, utilice, inspeccione y mantenga siempre este producto de acuerdo con todas las regulaciones y estándares aplicables (locales, estatales, nacionales, federales, etc.).** Su cumplimiento es responsabilidad suya. Si no se siguen estas regulaciones y estándares, pueden producirse lesiones corporales.
- El término "herramienta eléctrica" en las advertencias se refiere a su herramienta eléctrica accionada por batería (inalámbrica).

Seguridad eléctrica

- **No exponga las baterías o herramientas eléctricas a la lluvia o mojaduras.** El ingreso de agua a una batería o herramienta eléctrica incrementa el riesgo de descarga eléctrica.

Seguridad personal

- **No modifique el producto, los dispositivos de seguridad ni los accesorios.** Las modificaciones no autorizadas pueden producir descargas eléctricas, incendios o lesiones corporales.

Uso y cuidado de la batería y herramienta eléctrica

- **Recargue únicamente con el cargador especificado por el fabricante.** Un cargador apropiado para un tipo de conjunto de batería puede crear riesgo de incendio cuando se lo usa con otro conjunto de batería. Consulte el manual de información de producto del cargador para las advertencias adicionales específicas del cargador.
- **Use las herramientas eléctricas únicamente con conjuntos de batería diseñados específicamente.** El uso de cualquier otro conjunto de batería puede crear peligro de lesiones e incendio.
- **Cuando no utilice una batería, manténgala alejada de otros objetos metálicos como: clips, monedas, llaves, clavos, tornillos u otros objetos metálicos pequeños que puedan establecer conexión desde un polo al otro.** Colocar los polos de las baterías cerca puede provocar chispas, quemaduras o un incendio.
- **Bajo condiciones abusivas, la batería puede eyectar líquido. Evite el contacto. Si el contacto se produce accidentalmente, lávese con agua. Si el líquido hace contacto con los ojos, busque además ayuda médica.** El líquido eyectado de la batería puede causar irritación o quemaduras.
- **No utilice ningún conjunto de batería ni herramienta que se haya dañado o modificado.** Las baterías dañadas o modificadas pueden comportarse de forma impredecible, lo que provocará incendios, explosiones o riesgos de lesiones.

- **No exponga un conjunto de baterías ni una herramienta a fuego o temperaturas excesivas.** La exposición al fuego o a temperaturas superiores a 130 °C (265 °F) puede provocar explosiones.
- **Siga todas las instrucciones de carga y no cargue el conjunto de batería ni la herramienta fuera del rango de temperatura especificado en las instrucciones.** Si la carga no se realiza adecuadamente o se efectúa a temperaturas fuera del rango especificado, pueden producirse daños en la batería y aumentar el riesgo de incendio.
- **Almacene las baterías y herramientas eléctricas descargadas fuera del alcance de los niños y no permita que personas no familiarizadas con la batería o herramienta eléctrica o estas instrucciones accione la batería o herramienta eléctrica.** Las baterías y herramientas eléctricas son peligrosas en manos de usuarios no capacitados.
- **Use la batería, herramienta eléctrica, accesorios y herramientas de corte, etc., de acuerdo con estas instrucciones, tomando en cuenta las condiciones de trabajo y el trabajo a realizar.** El uso de la batería o herramienta eléctrica para funciones que difieran de las indicadas podría provocar una situación peligrosa.
- **Deje de utilizarla de inmediato y sustituya cualquier batería que se caliente en exceso por el uso o utilícela durante periodos muy cortos.** Normalmente, estas baterías disponen de una elevada cantidad de ciclos de carga/descarga o pueden ser antiguas o estar dañadas. El uso continuado de una batería dañada, puede causar lesiones o daños materiales debido a un calentamiento, incendio o explosión.
- **No despegue ninguna etiqueta. Sustituya todas las etiquetas dañadas.** Las etiquetas le aportan información para la utilización segura del producto.
- **No someta las batería a choques mecánicos.**
- **No deje la batería en carga prolongada cuando no está en uso.**
- **Cuando sea posible, retire la batería del equipo cuando no esté en uso.**
- **No use baterías que hayan sido dañadas físicamente.**

Reparación

- **Nunca repare un conjunto de batería dañado.** Dicha reparación únicamente debe realizarla el fabricante o proveedores de servicio autorizados.
- **No se deshaga de las baterías arrojándolas al fuego; no las queme ni las exponga a temperaturas superiores a los 100 °C (212 °F).** En caso de uso incorrecto, las baterías pueden causar incendios y quemaduras químicas.
- **Recicle las baterías o deshágase de ellas de forma responsable, de acuerdo con todos los estándares y regulaciones aplicables (locales, estatales, nacionales, federales, etc.)** La eliminación inadecuada de las baterías puede poner en peligro el medio ambiente.
- **No abra la cubierta o carcasa. En su interior, no hay elementos que el usuario pueda reparar.** Podría provocar descargas eléctricas u otras lesiones corporales.

Especificaciones del producto: Batería

Modelos	Composición química	Tensión (V)	Capacidad (Ah)	Peso lb (kg)
BL1203	Ion de litio	12	2.0	0.55 (0.25)
BL2012		20	2.5	0.90 (0.41)
BL2022			5.0	1.52 (0.69)
BL4011		40	2.5	

Temperaturas de funcionamiento

Las baterías recargables brindan su mejor rendimiento cuando funcionan con temperatura ambiente normal de 15 °C a 25 °C (59 °F a 77 °F). Una batería excesivamente caliente o fría puede impedir o interrumpir su carga o descarga.

Piezas y mantenimiento

Las etiquetas son las únicas piezas sustituibles por el usuario.

Modelos	Etiquetas de advertencia
BL1203	BL12-99
BL2012	BL20-99-3 y BL2012-99-AP5
BL2022	BL20-99-4 y BL2022-99-AP5
BL4011	BL40-99 y BL4011-99-AP5

Remita todas las comunicaciones a la oficina o distribuidor de **Ingersoll Rand** más cercano.

Información sobre las piezas del producto

⚠ PRECAUCIÓN

- **El uso de piezas de recambio que no sean las auténticas piezas Ingersoll Rand podría poner en peligro la seguridad, reducir el rendimiento de la herramienta y aumentar los cuidados de mantenimiento necesarios, así como invalidar toda garantía.**
- **Solo el personal cualificado y autorizado deberá realizar reparaciones. Consulte al centro de servicio de Ingersoll Rand autorizado más próximo.**

Protección del medio ambiente

Cuando haya finalizado la vida útil del producto de **Ingersoll Rand**, deberá reciclarlo según las normas y reglamentos vigentes (locales, estatales, nacionales, federales, etc.). La eliminación inadecuada de las baterías puede poner en peligro el medio ambiente.

Información general

AVISO

Las instrucciones originales están en inglés. Las demás versiones son una traducción de las instrucciones originales.

Los manuales pueden descargarse desde ingersollrand.com

Remita todas las comunicaciones a la oficina o al distribuidor de **Ingersoll Rand** más cercano.

Pautas de seguridad para el cargador de baterías

Uso indicado:

Un cargador de baterías es un dispositivo eléctrico que convierte la corriente alterna en continua. Ésta se utiliza para cargar las baterías eléctricas de almacenamiento. Este cargador de baterías está diseñado para cargar únicamente baterías **Ingersoll Rand**.

ADVERTENCIA

ADVERTENCIA: Consulte todas las advertencias de seguridad, instrucciones, ilustraciones y especificaciones que acompañan a esta herramienta motorizada. Si no se siguen las instrucciones descritas más adelante, pueden producirse descargas eléctricas, incendios o lesiones corporales graves.

Normas Generales de Seguridad

- **Es su responsabilidad poner esta información de seguridad a disposición de quienes vayan a utilizar el aparato.** Si no se siguen estas regulaciones y estándares, pueden producirse lesiones corporales.
- **Instale, utilice, inspeccione y mantenga siempre este producto de acuerdo con todas las regulaciones y estándares aplicables (locales, estatales, nacionales, federales, etc.).** Su cumplimiento es responsabilidad suya. Si no se siguen estas regulaciones y estándares, pueden producirse lesiones corporales.
- **Este Producto puede ser utilizado por niños a partir de los 8 años de edad y por personas cuyas facultades físicas, sensoriales o mentales se encuentren limitadas o que no cuenten con los conocimientos ni la experiencia necesarios, siempre que sea bajo supervisión o siguiendo las instrucciones relativas al uso del Producto de forma segura y que sean conscientes de los riesgos que dicho uso entraña. Los niños no deben jugar con el Producto. La limpieza y el mantenimiento del usuario nunca deben ser efectuados por niños sin la debida supervisión.**

Seguridad en el área

- **No utilice el cargador de baterías en entornos potencialmente explosivos, como líquidos, gases o polvos inflamables.** Es posible que un cargador de baterías origine chispas que pueden inflamar el polvo o los vapores.

Seguridad Eléctrica

- **Los productos doblemente aislados poseen un enchufe polarizado (una clavija es más ancha que la otra). Este enchufe encajará de una sola forma en una toma polarizada. Si no encajara por completo en la toma, introdúzcalo del revés. Si aún no encaja, póngase en contacto con un electricista cualificado para que instale una toma polarizada. No modifique el enchufe de ninguna forma.** El doble aislamiento permite prescindir del cable eléctrico trifásico de puesta a tierra y del sistema de fuente de alimentación de puesta a tierra.
- **No fuerce el cable. No utilice nunca el cable para arrastrar, tirar o desconectar la herramienta. Manténgalo alejado del calor, aceites, bordes afilados o piezas móviles.** Un cable dañado o enredado aumenta el riesgo de descarga eléctrica.
- **Un producto motorizado que funciona con baterías integrales o con batería independiente debe recargarse sólo con el cargador específico de esa batería.** Un cargador adecuado para un tipo de batería podría provocar un incendio si se utiliza con otra batería.
- **El cargador sólo está destinado a uso interior. No exponga el cargador a la lluvia. No utilice el cargador en lugares húmedos o mojados.** Podría provocar descargas eléctricas u otras lesiones corporales.
- **Utilice siempre la tensión eléctrica de alimentación especificada.** Una tensión eléctrica inadecuada puede provocar descargas eléctricas, incendios, funcionamiento anormal y lesiones corporales.
- **Evite tocar las terminales de carga de la batería con los dedos, cables u otro material conductor. Conéctelo sólo con baterías aprobadas de Ingersoll Rand.** Podría provocar descargas eléctricas u otras lesiones corporales.
- **No intente recargar baterías no recargables.** Pueden producirse descargas eléctricas, incendios o lesiones corporales.

Seguridad Personal

- **No modifique el producto, los dispositivos de seguridad ni los accesorios.** Las modificaciones no autorizadas pueden producir descargas eléctricas, incendios o lesiones corporales.
- **No utilice este producto para otros fines que no sean los recomendados.** Pueden producirse descargas eléctricas, incendios u otras lesiones corporales.
- **Coloque el cargador en una posición estable antes de conectarlo a la fuente de alimentación. Mantenga el cargador fuera del alcance de los niños.** Una colocación inadecuada o la utilización por parte de niños puede provocar descargas eléctricas, incendios o lesiones corporales.

Utilización y Mantenimiento

- **No utilice nunca un cargador averiado o con problemas de funcionamiento. Desconecte el cargador inmediatamente y repárelo o sustitúyalo.** El uso continuado puede producir descargas eléctricas, incendios o lesiones corporales.
- **No despegue ninguna etiqueta. Sustituya todas las etiquetas dañadas.** Las etiquetas le aportan información para la utilización segura del producto.

Reparación

- **La realización sólo se deberá llevar a cabo en un centro de servicio autorizado de Ingersoll Rand o por personal cualificado.** La reparación o el mantenimiento realizado por personal no cualificado podría provocar lesiones.
- **No abra la cubierta o carcasa. En su interior, no hay elementos que el usuario pueda reparar.** Podría provocar descargas eléctricas u otras lesiones corporales.
- **Si el cable de alimentación está dañado, deberá sustituirse en un centro de servicio autorizado de Ingersoll Rand o con la ayuda de personal cualificado.** Los cables dañados o instalados de forma incorrecta aumentan el riesgo de descarga eléctrica.

Información de Seguridad Sobre el Producto

ADVERTENCIA

Instrucciones importantes de seguridad - Guarde estas instrucciones.

PELIGRO

Para reducir el riesgo de incendio o cortocircuito eléctrico, siga con atención estas instrucciones.

ADVERTENCIA

- **Utilice solo el cargador de Ingersoll Rand con baterías de ion-litio IQV12, IQV20, y IQV40 de Ingersoll Rand.** La utilización de otras baterías o cargadores podría provocar un incendio o la explosión de la batería mientras se carga. Podría causar lesiones corporales o daños materiales.
- **No hay elementos del cargador que el usuario pueda reparar. La reparación sólo puede llevarla a cabo un centro de servicio autorizado de Ingersoll Rand.** La reparación por parte del usuario podría provocar descargas eléctricas, incendios y lesiones corporales graves.
- **El BC1110 es un producto de Clase A. En un entorno residencial, comercial o de industria ligera puede provocar radiointerferencias.** Este producto no debe instalarse en un entorno residencial; en entornos comerciales y de industria ligera con conexión a la red eléctrica pública, puede que el usuario tenga que tomar medidas para reducir las interferencias
- **Este producto no está previsto para ser utilizado por personas de viaje.**

Información sobre las piezas del producto

PRECAUCIÓN

- **El uso de piezas de recambio que no sean las auténticas piezas Ingersoll Rand podría poner en peligro la seguridad, reducir el rendimiento de la herramienta y aumentar los cuidados de mantenimiento necesarios, así como invalidar toda garantía.**
- **Solo el personal cualificado y autorizado deberá realizar reparaciones. Consulte al centro de servicio de Ingersoll Rand autorizado más próximo.**

Especificaciones del producto: Cargador de la Batería

Modelos	BC1110	BC1124	BC1221	BC1221-EU	BC1161
Entrada del cargador	100-240 V AC ~ 50-60 Hz, 30 W, 50-70 VA	100-240 V AC ~ 50-60 Hz, 100 W, 160-215 VA	100-240 V AC ~ 50-60 Hz, 200 W, 320-395 VA	220-240 V AC ~ 50-60 Hz, 200 W, 340 VA	100-240 V AC ~ 50-60 Hz, 100 W, 160-215 VA
Salida del cargador	12.6 V DC, 2.0 A	12 V DC 2.0 A/ 20 V DC 4.0 A	12.6 V DC, 2.0 A (x2) 21 V DC, 4.0 A (x2)		42 V DC, 2.0 A
Modelos de batería	BL1203 (2.0 Ah)	BL1203 (2.0 Ah), BL2012 (2.5 Ah) y BL2022 (5.0 Ah)			BL4011 (2.5 Ah)
Salida USB	USB Type A, 5 V DC, 500 mA, D+/D- Connexion bornes, 200 Ω	N/A	USB Type A, 5 V DC, 500 mA, D+/D- Connexion bornes, 200 Ω		

Instrucciones para cargar la batería

Debe instalarse el cargador cerca de un enchufe fácilmente accesible.

No cargue la batería cuando la temperatura sea inferior a 0 °C (32 °F) o superior a 45 °C (113 °F).

Cargue por completo las baterías nuevas antes de utilizarlas. **El tiempo de carga es de aproximadamente 60 minutos.**

Cuando no lo vaya a utilizar, desconecte el cargador y retire la batería.

El cargador de doble bahía es capaz de cargar de forma independiente y simultánea baterías de 12 V y 20 V.

Acción	Estado	BC1110		BC1124, BC1161, BC1221, y BC1221-EU			
		Indicadores del cargador		Indicadores del cargador		Alarma (sonido)	Indicador de nivel de carga
		Verde	Rojo	Verde	Rojo		
Conecte el cargador a una toma de CA.	Encendido (posición de espera)	1 x *	1 x *	●	○	---	○○○○
Inserte el paquete de la batería en el cargador.	Cargando. El indicador marca el nivel de carga.	*	○	●	○	---	*○○○ ↳
	Error de comunicación. Identificación de la batería /Leer defecto, reinsertar batería. Puede que la batería esté dañada.	○	●	○	●	Baja ♪	○○○○
	Temperatura inicial. Carga detenida hasta que la batería se enfríe a una temperatura segura.	○	2 x *	○	2 x *	Baja ♪	○○○○
	Expiración del tiempo. Se ha excedido el tiempo de carga. Puede que la batería esté dañada.	○	3 x *	○	3 x *	Baja ♪	○○○○
	Temperatura en ciclo. Carga detenida hasta que la batería se enfríe a una temperatura segura.	○	4 x *	○	4 x *	Baja ♪	○○○○
	Sobretensión. Se ha detectado una tensión alta. Puede que la batería esté dañada.	○	5 x *	○	5 x *	Baja ♪	○○○○
	Sobrecorriente. Se ha detectado una corriente alta. Puede que la batería esté dañada.	○	6 x *	○	6 x *	Baja ♪	○○○○
	Carga finalizada.	●	○	●	○	Alta ♪	●●●●
Extraiga las baterías.	Paquete de batería retirado.	1 x *	1 x *	●	○	Alta ♪	---

Leyenda: * Intermitente ● Encendido ○ Apagado

Mantenimiento periódico

Desconecte el cargador antes de limpiarlo. Las superficies de plástico sólo pueden limpiarse con un paño ligeramente húmedo. Mantenga las salidas de ventilación limpias de polvo y suciedad. No utilice el cargador si el cable está dañado. Las etiquetas y cuerdas de recambio están disponibles en el **Ingersoll Rand** Service Center autorizado más cercano.

Remita todas las comunicaciones a la oficina o distribuidor de **Ingersoll Rand** más cercano.

Protección del medio ambiente

Cuando haya finalizado la vida útil del producto de **Ingersoll Rand**, deberá reciclarlo según las normas y reglamentos vigentes (locales, estatales, nacionales, federales, etc.). La eliminación inadecuada de las baterías puede poner en peligro el medio ambiente.

Información general

AVISO

Las instrucciones originales están en inglés. Las demás versiones son una traducción de las instrucciones originales.

Los manuales pueden descargarse desde ingersollrand.com

Remita todas las comunicaciones a la oficina o al distribuidor de **Ingersoll Rand** más cercano.

Identification du Symbole de Sécurité



Risque de choc électrique



Utilisation en intérieur uniquement



Lisez attentivement les manuels avant d'utiliser le produit

(Dessin 16590275_FR)

Informations de sécurité - Explication des Symboles de Sécurité

⚠ DANGER

Signale une situation de danger imminent qui, si elle n'est pas évitée, peut provoquer la mort ou des blessures graves.

⚠ AVERTISSEMENT

Signale une situation de danger potentiel qui, si elle n'est pas évitée, pourrait provoquer la mort ou des blessures graves.

⚠ ATTENTION

Signale une situation de danger potentiel qui, si elle n'est pas évitée, peut provoquer des blessures mineures ou modérées ou des dommages matériels.

AVIS

Signale une information ou une règle de l'entreprise en rapport direct ou indirect avec la sécurité du personnel ou avec la protection des biens.

Identification des symboles



Retourner les déchets pour recyclage.



Ne pas mettre ce produit au rebut avec les déchets ménagers.



Li-Ion

Ce produit contient du lithium-ion. Ne pas mettre ce produit au rebut avec les déchets ménagers.

Consignes de sécurité pour les piles

Utilisation prévue:

Une pile est un dispositif de stockage de l'électricité utilisé en tant que source d'alimentation pour les produits sans fil **Ingersoll Rand**.

⚠ AVERTISSEMENT

⚠ AVERTISSEMENT: Lisez attentivement tous les avertissements, instructions, illustrations et spécifications de sécurité fournis avec cet outil. Ne pas suivre les avertissements et instructions peut entraîner la survenue d'un choc électrique, d'un incendie et/ou de blessures graves.

Avertissements de sécurité généraux concernant la batterie

- **Conserver la totalité des avertissements et instructions fournis pour d'éventuelles consultations ultérieures.**
- **Il vous incombe de transmettre les présentes informations de sécurité à tous les utilisateurs du produit.** Le non respect des normes et réglementations peut provoquer des blessures.
- **Installez, utilisez, inspectez et entretenez toujours ce produit conformément à toutes les normes et réglementations en vigueur (locales, nationales, fédérales, européennes etc.).** Vous êtes responsable du respect de ces normes. Le non respect des normes et réglementations peut provoquer des blessures.
- Le terme « outil électrique » dans les avertissements désigne l'outil (sans fil) alimenté par votre batterie.

Sécurité électrique

- **N'exposez pas les batteries ou les outils électriques à la pluie ou à l'eau.** L'infiltration d'eau dans une batterie ou un outil électrique augmente le danger d'électrocution.

Sécurité de l'utilisateur

- **Ne modifiez jamais ce produit, les dispositifs de sécurité ni les accessoires.** Cela pourrait provoquer un choc électrique, un incendie ou des blessures.

Utilisation et entretien de la batterie et de l'outil électrique

- **Utilisez exclusivement le type de chargeur spécifié par le fabricant.** Un chargeur peut être approprié pour un type de bloc batterie mais créer un risque d'incendie avec un autre type de bloc batterie. Pour davantage d'avertissements spécifiques sur le chargeur, consultez le manuel d'Informations du chargeur.
- **N'utilisez l'outil qu'avec un bloc batterie prévu à cet effet.** L'utilisation d'un autre bloc batterie peut entraîner un danger de blessure et d'incendie.
- **Lorsque le bloc de piles n'est pas utilisé, tenez-le à distance des autres objets métalliques tels que : des trombones, pièces de monnaie, clés, clous, vis ou autres petits objets en métal pouvant créer une connexion entre un terminal et un autre.** Un court circuit entre les bornes de piles peut provoquer des étincelles, des brûlures ou un incendie.
- **En cas de mauvaise utilisation, la batterie peut rejeter du liquide ; évitez tout contact. En cas de contact accidentel, nettoyez abondamment à l'eau claire. En cas de contact avec les yeux, rincez abondamment et consultez un médecin.** Le liquide en provenance de la pile peut entraîner des irritations ou des brûlures.
- **N'utilisez pas un bloc batterie ou un outil endommagé ou altéré.** Les batteries endommagées ou altérées peuvent présenter un comportement imprévisible et provoquer un incendie, une explosion ou une blessure.
- **N'exposez pas un bloc batterie ou un outil à une flamme ou à une température excessive.** Une exposition à une flamme ou une température supérieure à 130 °C (265 °F) peut entraîner une explosion.
- **Observez l'ensemble des instructions de charge et ne chargez pas le bloc batterie ou l'outil en dehors de la plage de températures mentionnée dans les instructions.** Une charge incorrecte ou à des températures en dehors de la plage spécifiée peut endommager la batterie et augmenter le risque d'incendie.

- **Rangez les batteries et les outils électriques inutilisés hors de portée des enfants et ne laissez aucune personne n'étant pas familière avec la batterie, l'outil électrique et ces instructions s'en servir.** Entre les mains d'un utilisateur non formé, les batteries et les outils électriques peuvent être dangereux.
- **Utilisez la batterie, l'outil électrique, les accessoires et les mèches etc. en suivant bien ces instructions, et en tenant compte des conditions de travail et de la tâche à accomplir.** L'utilisation de la batterie ou de l'outil électrique pour un usage non prévu à cet effet peut se révéler dangereux.
- **Cessez immédiatement d'utiliser l'outil et remplacez toute batterie s'échauffant de manière inhabituelle ou n'offrant qu'une autonomie réduite.** Les batteries présentent généralement une capacité importante de cycles de chargement/déchargement. Il est donc possible qu'elles soient trop anciennes ou endommagées. L'utilisation d'une batterie en mauvais état peut provoquer des blessures ou des dégâts dus à la chaleur, au feu ou à une explosion.
- **Ne retirez aucune étiquette. Remplacez toute étiquette endommagée.** Ces étiquettes fournissent des informations utiles pour une utilisation sûre de ce produit.
- **Ne soumettez pas les batteries à des impacts physiques.**
- **Ne laissez pas une batterie en charge trop longtemps lorsqu'elle n'est pas utilisée.**
- **Dans la mesure du possible, enlevez la batterie de l'appareil lorsqu'il est inutilisé.**
- **N'utilisez pas de batteries qui ont été physiquement endommagées.**

Entretien

- **Ne réparez jamais les blocs batteries endommagés.** Les blocs batteries ne peuvent être réparés que par le fabricant ou des prestataires de services agréés.
- **Ne jetez pas les piles dans le feu, ne les incinerez pas ou ne les exposez pas à une température supérieure à 100 °C (212 °F).** Les piles présentent un risque d'incendie ou de brûlure chimique lorsqu'elles sont manipulées de façon inadéquate.
- **Recyclez ou mettez au rebut les piles conformément à toutes les normes et réglementations en vigueur (locales, nationales, fédérales, européennes etc.).** Une mise au rebut incorrecte peut nuire à l'environnement.
- **N'ouvrez pas le capot ni le boîtier de l'appareil. Il ne contient aucun élément pouvant être entretenu par l'utilisateur.** Cela pourrait entraîner un choc électrique ou des blessures.

Spécifications du produit: Batterie

Modèles	Chimie	Tension (V)	Capacité (Ah)	Poids lb (kg)
BL1203	Lithium-ion	12	2.0	0.55 (0.25)
BL2012		20	2.5	0.90 (0.41)
BL2022			5.0	1.52 (0.69)
BL4011		40	2.5	

Plage de température de fonctionnement

Les batteries atteignent leur maximum de rendement lorsqu'elles fonctionnent à température ambiante d'intérieur comprise entre 15 °C et 25 °C (59°F à 77°F). Si la batterie est trop chaude ou trop froide, elle peut avoir du mal à ou arrêter de se charger ou se décharger.

Pièces détachées et maintenance

Les étiquettes sont les seules pièces que l'utilisateur peut remplacer.

Modèles	Étiquettes d'avertissement
BL1203	BL12-99
BL2012	BL20-99-3 et BL2012-99-AP5
BL2022	BL20-99-4 et BL2022-99-AP5
BL4011	BL40-99 et BL4011-99-AP5

Transmettez toutes vos communications au bureau ou au distributeur **Ingersoll Rand** le plus proche.

Informations sur les Pièces du Produit

ATTENTION

- **L'utilisation de pièces de rechange autres que les pièces d'origine Ingersoll Rand peut remettre en cause la sécurité, réduire les performances de l'outil et requérir une maintenance accrue, de même qu'elle peut annuler toutes les garanties.**
- **Les réparations doivent être assurées exclusivement par du personnel qualifié et agréé. Consultez le centre de service Ingersoll Rand agréé le plus proche.**

Protection de l'environnement

Après expiration de la durée de vie du produit électrique **Ingersoll Rand**, ce dernier doit être recyclé conformément à toutes les normes et réglementations en vigueur (locales, nationales, fédérales, européennes etc.). Une mise au rebut incorrecte peut nuire à l'environnement.

Informations générales

AVIS

Les instructions d'origine sont en anglais. Les autres langues sont une traduction des instructions d'origine.

Les manuels peuvent être téléchargés sur le site ingersollrand.com

Transmettez toutes vos communications au bureau ou au distributeur **Ingersoll Rand** le plus proche.

Consignes de sécurité pour le chargeur de batterie

Utilisation prévue:

Un chargeur de piles est un appareil électrique qui convertit le courant alternatif en courant continu utilisé pour charger les accumulateurs. Ce chargeur de batterie est conçu pour charger uniquement les batteries **Ingersoll Rand**.

AVERTISSEMENT

⚠ AVERTISSEMENT: Lisez attentivement tous les avertissements, instructions, illustrations et spécifications de sécurité fournis avec cet outil. Le non-respect de celles-ci peut provoquer des chocs électriques, des incendies et/ou des blessures graves.

Règles de Sécurité Générales

- **Il vous incombe de transmettre les présentes informations de sécurité à tous les utilisateurs du produit.** Le non-respect de ces normes et réglementations peut provoquer des blessures.
- **Installez, utilisez, inspectez et entretenez toujours ce produit conformément à toutes les normes et réglementations en vigueur (locales, nationales, fédérales, européennes etc.).** Vous êtes responsable du respect de ces normes. Le non-respect de ces normes et réglementations peut provoquer des blessures.
- **Les enfants de plus de 8 ans et les personnes présentant des handicaps physiques, sensoriels ou mentaux, inexpérimentés ou ne disposant pas des connaissances suffisantes, peuvent utiliser ce Produit sous surveillance ou après avoir reçu des instructions concernant l'utilisation sécurisée du Produit et les risques associés. Les enfants ne doivent pas jouer avec le Produit. Les procédures de nettoyage et d'entretien ne doivent pas être effectuées par des enfants sans surveillance.**

Sécurité du lieu de

- **N'utilisez pas le chargeur de piles dans un environnement explosif, par exemple en présence de liquides inflammables, de gaz ou de poussière.** Un chargeur de piles est susceptible de provoquer des étincelles qui peuvent enflammer les poussières ou les fumées.

Sécurité Électrique

- **Les produits à double isolation sont munis d'une fiche polarisée (une lame est plus large que l'autre). Cette fiche ne peut se connecter sur une prise polarisée que d'une seule manière. Si la fiche ne s'enfonce pas complètement dans la prise, retournez-la. Si elle ne se branche toujours pas correctement, contactez un électricien qualifié pour l'installation d'une prise polarisée. La fiche ne doit en aucun cas être modifiée.** En présence d'une double isolation, il n'est plus nécessaire d'utiliser un cordon électrique à trois fils avec mise à la terre, ni un système d'alimentation électrique avec mise à la terre.
- **Utilisez convenablement le cordon. N'utilisez jamais le cordon pour transporter, tirer ou débrancher l'outil. Assurez-vous que le cordon est placé à distance des sources de chaleur, d'huile, d'arêtes vives ou de pièces mobiles.** Les cordons endommagés ou entremêlés augmentent les risques de choc électrique.
- **Un appareil fonctionnant avec des piles intégrées ou un bloc de piles séparé ne doit être rechargé qu'avec le chargeur de piles spécifié.** Un chargeur correspondant à un type de pile spécifique peut entraîner un risque d'incendie lorsqu'il est utilisé avec un autre type de pile.
- **Le chargeur ne doit être utilisé qu'en intérieur. Veillez à ce que le chargeur ne soit pas exposé à la pluie. N'utilisez pas le chargeur dans des endroits humides ou mouillés.** Cela pourrait entraîner un choc électrique ou des blessures.
- **Respectez toujours la tension d'alimentation indiquée.** L'utilisation de cet outil sous une autre tension peut provoquer des chocs électriques, des incendies, un fonctionnement anormal de l'outil et des blessures graves.
- **Évitez tout contact des doigts, de fils et autres matériaux conducteurs avec les bornes de la batterie. Ne connectez l'appareil qu'à des batteries agréées par Ingersoll Rand.** Cela pourrait entraîner un choc électrique ou des blessures.
- **Ne tentez pas de recharger des batteries non rechargeables.** Cela pourrait provoquer un choc électrique, un incendie ou des blessures.

Sécurité de L'utilisateur

- **Ne modifiez jamais ce produit, les dispositifs de sécurité ou les accessoires.** Cela pourrait provoquer un choc électrique, un incendie ou des blessures.
- **N'utilisez pas ce produit à des fins autres que celles recommandées.** Cela pourrait provoquer un choc électrique, un incendie ou des blessures.
- **Assurez-vous que le chargeur est dans une position stable avant de le brancher à une source d'alimentation. Maintenez le chargeur hors de portée des enfants.** Une position instable ou une utilisation par des enfants peut conduire à un choc électrique, un incendie ou des blessures.

Utilisation et Maintenance

- **N'utilisez jamais un chargeur endommagé ou ne fonctionnant pas correctement. Débranchez immédiatement le chargeur et faites-le réparer ou remplacer.** L'utilisation continue d'un tel chargeur pourrait provoquer un choc électrique, un incendie ou des blessures.
- **Ne retirez aucune étiquette. Remplacez toute étiquette endommagée.** Ces étiquettes fournissent des informations utiles pour une utilisation sûre de ce produit.

Entretien

- **L'entretien ne doit être effectué que par un centre de service Ingersoll Rand agréé ou par un personnel qualifié équivalent.** L'entretien ou la maintenance effectués par un personnel non qualifié pourrait présenter des risques de blessures.
- **N'ouvrez pas le capot ni le boîtier de l'appareil. Il ne contient aucun élément pouvant être réparé par l'utilisateur.** Cela pourrait entraîner un choc électrique ou des blessures.
- **Si le cordon d'alimentation est endommagé, il doit être remplacé par un centre de service Ingersoll Rand agréé ou par un personnel qualifié équivalent.** Les cordons endommagés et mis en place de façon incorrecte augmentent les risques de choc électrique.

Informations de sécurité du produit

AVERTISSEMENT

Consignes de sécurité importantes – Conserver ces instructions.

DANGER

Pour réduire les risques d'incendie ou de choc électrique, respecter les instructions suivantes.

AVERTISSEMENT

- **Utiliser uniquement un chargeur Ingersoll Rand pour recharger les piles lithium-ion série IQV12, IQV20, et IQV40 de Ingersoll Rand.** Des risques d'incendie ou d'explosion lors du chargement de la batterie peuvent survenir si vous utilisez d'autres piles ou chargeurs. Cela peut aussi provoquer des blessures ou des dommages matériels.
- **Ce chargeur n'est pas réparable par l'utilisateur. Toute réparation doit être effectuée par un centre agréé Ingersoll Rand.** Une réparation effectuée par l'utilisateur peut provoquer un choc électrique, un incendie et / ou des blessures graves.
- **Le BC1110 est un produit de classe A. Dans un environnement résidentiel, commercial ou de l'industrie légère, il risque de provoquer des interférences radio.** Ce produit n'est pas prévu pour être installé dans un environnement résidentiel ; dans un environnement commercial et de l'industrie légère avec liaison au réseau d'alimentation public, l'utilisateur devra peut être prendre des mesures pour réduire les interférences.
- **Ce produit n'est pas prévu pour être utilisé en cours de voyage.**

Informations sur les Pièces du Produit

ATTENTION

- **L'utilisation de pièces de rechange autres que les pièces d'origine Ingersoll Rand peut remettre en cause la sécurité, réduire les performances de l'outil et requérir une maintenance accrue, de même qu'elle peut annuler toutes les garanties.**
- **Les réparations doivent être assurées exclusivement par du personnel qualifié et agréé. Consultez le centre de service Ingersoll Rand agréé le plus proche.**

Spécifications du produit: Chargeur de batteries

Modèles	BC1110	BC1124	BC1221	BC1221-EU	BC1161
Entrée du chargeur	100-240 V AC ~ 50-60 Hz, 30 W, 50-70 VA	100-240 V AC ~ 50-60 Hz, 100 W, 160-215 VA	100-240 V AC ~ 50-60 Hz, 200 W, 320-395 VA	220-240 V AC ~ 50-60 Hz, 200 W, 340 VA	100-240 V AC ~ 50-60 Hz, 100 W, 160-215 VA
Sortie du chargeur	12.6 V DC, 2.0 A	12 V DC 2.0 A / 20 V DC 4.0 A	12.6 V DC, 2.0 A (x2) 21 V DC, 4.0 A (x2)		42 V DC, 2.0 A
Modèles de batterie	BL1203 (2.0 Ah)	BL1203 (2.0 Ah), BL2012 (2.5 Ah) et BL2022 (5.0 Ah)			BL4011 (2.5 Ah)
Sortie USB	USB Type A, 5 V DC, 500 mA, D+/D- Connexion bornes, 200 Ω	N/A	USB Type A, 5 V DC, 500 mA, D+/D- Connexion bornes, 200 Ω		

Instructions pour le chargement des piles

Le chargeur devra être installé à proximité d'une prise facile d'accès.

Ne chargez pas le bloc de piles lorsque la température est inférieure à 0 °C (32 °F) ou supérieure à 45 °C (113 °F). Chargez complètement les nouveaux blocs de piles avant utilisation. **La durée de chargement est d'environ 60-90 minutes.**

Débrancher le chargeur et retirer le bloc-piles lorsque l'appareil n'est pas utilisé.

Le chargeur à double baie est capable de charger indépendamment et simultanément des batteries 12 V et 20 V.

Action	État	BC1110		BC1124, BC1161, BC1221, et BC1221-EU			
		Affichage du chargeur		Affichage du chargeur		Alarme (Son)	Jauge de niveau
		Vert	Rouge	Vert	Rouge		
Branchez le chargeur à une prise de courant de ca.	Mise sous tension (Veille)	1 x *	1 x *	●	○	---	○○○○
Introduire le bloc-piles dans le chargeur.	Chargement. La jauge de niveau indiquera l'état de chargement.	*	○	●	○	---	*○○○ ↳
	Erreur de communication. Erreur de lecture / identification de pile, réintroduire la pile. La pile est peut-être défectueuse.	○	●	○	●	Bas ↓	○○○○
	Température initiale. Interruption de la charge jusqu'à ce que la température de la batterie reprenne sa valeur de sécurité.	○	2 x *	○	2 x *	Bas ↓	○○○○
	Expiration du délai. Temps de chargement dépassé. Les piles sont peut-être défectueuses.	○	3 x *	○	3 x *	Bas ↓	○○○○
	Température en cycle. Interruption de la charge jusqu'à ce que la température de la batterie reprenne sa valeur de sécurité.	○	4 x *	○	4 x *	Bas ↓	○○○○
	Surtension. Surtension détectée. Les piles sont peut-être défectueuses.	○	5 x *	○	5 x *	Bas ↓	○○○○
	Surintensité. Surintensité détectée. Les piles sont peut-être défectueuses.	○	6 x *	○	6 x *	Bas ↓	○○○○
	Chargement terminé.	●	○	●	○	Haut ↑	●●●●
Retirez le bloc de piles.	Pack de piles retiré.	1 x *	1 x *	●	○	Haut ↑	---

Légende : * Clignotant ● Marche ○ Arrêt

Maintenance préventive

Débrancher le chargeur avant de le nettoyer. Nettoyer les surfaces plastiques uniquement à l'aide d'un chiffon légèrement humide. Les aérations doivent toujours être exemptes de poussière et de débris. N'utilisez pas le chargeur si le câble est endommagé. Pour obtenir un cordon ou une étiquette de remplacement, s'adresser au centre de service agréé **Ingersoll Rand** le plus proche.

Transmettez toutes vos communications au bureau ou au distributeur **Ingersoll Rand** le plus proche.

Protection de l'environnement

Après expiration de la durée de vie du produit électrique **Ingersoll Rand**, ce dernier doit être recyclé conformément à toutes les normes et réglementations en vigueur (locales, nationales, fédérales, européennes etc.). Une mise au rebut incorrecte peut nuire à l'environnement.

Informations générales

AVIS

Les instructions d'origine sont en anglais. Les autres langues sont une traduction des instructions d'origine.

Les manuels peuvent être téléchargés sur le site ingersollrand.com

Transmettez toutes vos communications au bureau ou au distributeur **Ingersoll Rand** le plus proche.

Identificação dos Símbolos de Segurança



Risco de choque elétrico



Exclusivamente destinado a uma utilização no interior



Leia os manuais antes de utilizar o produto

(Desenho 16590275_PT)

Informação de Segurança – Explicação das Palavras de Aviso de Segurança

PERIGO	Indica uma situação de perigo iminente que, se não for evitada, pode dar azo a morte ou lesões graves.
AVISO	Indica uma situação potencialmente perigosa que, se não for evitada, pode dar azo a morte ou lesões graves.
ATENÇÃO	Indica uma situação potencialmente perigosa que, se não for evitada, pode dar azo a lesões ligeiras a moderadas ou a danos em bens e propriedades.
NOTA	Indica informações ou uma política da companhia que diz directa ou indirectamente respeito à segurança do pessoal ou à protecção da propriedade.

Identificação dos Símbolos



Devolver para reciclagem.



Não juntar este produto ao lixo doméstico.



Li-Ion

Este produto contém íões de lítio. Não juntar este produto ao lixo doméstico.

Diretrizes de segurança para as pilhas

Utilização Prevista:

Estas baterias são utilizadas como fonte de alimentação para os Produtos Sem Fios **Ingersoll Rand**.

AVISO

AVISO: Leia todos os avisos de segurança, instruções, ilustrações e especificações fornecidos com esta ferramenta eléctrica. O não cumprimento dos avisos e das instruções pode resultar em choques eléctricos, incêndios e/ou ferimentos graves.

Advertências Gerais de Segurança da Bateria

- **Conserve todos os Avisos e instruções para futura referência.**
- **Compete-lhe a si a responsabilidade pela disponibilização destas informações de segurança a todas as pessoas que venham a utilizar este produto.** O incumprimento das normas e dos regulamentos pode dar azo a lesões pessoais.
- **Instale, utilize, inspeccione e mantenha sempre este equipamento de acordo com todas as normas e regulamentos aplicáveis (locais, estaduais, nacionais, federais, etc.).** Compete-lhe a si a responsabilidade pelo cumprimento destas normas e destes regulamentos. O incumprimento das normas e dos regulamentos pode dar azo a lesões pessoais.
- O termo "power tool" (ferramenta eléctrica) nas advertências refere-se à sua ferramenta eléctrica (sem fios) operada por bateria.

Segurança eléctrica

- **Não expor as baterias ou ferramentas eléctricas à chuva ou condições de humidade.** A entrada de água numa bateria ou ferramenta eléctrica irá aumentar o risco de choque eléctrico.

Segurança pessoal

- **Nunca modifique este produto, nem os dispositivos de protecção e segurança ou os acessórios.** As modificações não autorizadas podem dar origem a choques eléctricos, incêndios ou lesões pessoais.

Uso e cuidado da Bateria e Ferramenta Eléctrica

- **Recarregar apenas com o carregador especificado pelo fabricante.** Um carregador que possa ser adequado para este tipo de bateria pode criar risco de incêndio quando utilizado com outra bateria. Consultar o manual de Informação do Produto Carregador para advertências adicionais específicas do carregador.
- **Utilize as ferramentas eléctricas apenas com conjuntos de baterias específicos.** O uso de quaisquer outros conjuntos de baterias pode criar risco de ferimentos e incêndio.
- **Sempre que o conjunto de baterias não estiver a ser utilizado, mantenha-o afastado de outros objectos metálicos, como: cliques, moedas, chaves, pregos, parafusos ou outros objectos metálicos de pequena dimensão que possam estabelecer ligação entre um terminal e o outro.** O curto-circuito dos terminais da bateria pode dar azo a faíscas, queimaduras ou incêndio.
- **Sob condições abusivas, pode sair líquido das baterias; evitar o contacto. Se ocorrer um contacto accidental, lave imediatamente com água. Se o líquido entrar em contacto com os olhos, deve também procurar um médico.** O líquido ejectado das baterias pode provocar irritação ou queimaduras.
- **Não utilize uma bateria ou ferramenta que esteja danificada ou modificada.** Baterias danificadas ou modificadas podem apresentar um comportamento imprevisível, resultando em incêndio, explosão ou risco de lesões.
- **Não exponha a bateria ou ferramenta ao fogo ou a temperaturas excessivas.** A exposição ao fogo ou a temperaturas superiores a 130 °C (265 °F) pode provocar explosão.

- **Siga as instruções de carregamento e não carregue a bateria ou ferramenta fora do intervalo de temperatura especificado nas instruções.** Carregar inadequadamente ou a temperaturas fora do intervalo especificado pode danificar a bateria e aumentar o risco de incêndio.
- **Armazene as pilhas e as ferramentas eléctricas não usadas fora do alcance das crianças e não permita que pessoas não familiarizadas com a bateria ou ferramenta eléctrica ou estas instruções para operar a bateria ou ferramenta eléctrica.** As pilhas e ferramentas eléctricas são perigosas nas mãos de utilizadores sem formação.
- **Use a bateria, a ferramenta eléctrica, acessórios e peças da ferramenta, etc., em conformidade com estas instruções, tendo em consideração as condições de funcionamento e o trabalho a ser realizado.** O uso da bateria ou ferramenta eléctrica para outras operações que não as previstas pode resultar numa situação perigosa.
- **Interrompa imediatamente a utilização e substitua qualquer bateria que aqueça excessivamente durante a utilização ou proporcione tempos de utilização muito curtos.** Normalmente, estas baterias têm um número elevado de ciclos de carga/descarga, podem ser antigas ou estar danificadas. Se continuar a utilizar uma bateria incapacitada poderá provocar lesões ou danos de propriedade resultantes do calor, fogo ou explosão.
- **Nunca remova quaisquer etiquetas. Substitua sempre as etiquetas danificadas.** As etiquetas contêm informações necessárias à utilização segura do produto.
- **Não sujeitar as baterias a choque mecânico.**
- **Não deixar a bateria em carga prolongada quando não em utilização.**
- **Quando possível, desligue a bateria do equipamento quando não estiver a ser utilizada.**
- **Não usar baterias quem estejam fisicamente danificadas.**

Assistência

- **Nunca tente reparar uma bateria danificada.** A assistência a baterias deve apenas ser realizada pelo fabricante ou prestadores de serviço autorizado.
- **Nunca deite as baterias para o fogo, nem as incinere ou aqueça a temperaturas superiores a 100 °C (212 °F).** Se não forem manuseadas da forma correcta, as baterias apresentam perigo de incêndio ou de queimadura provocada por produtos químicos.
- **Recicle ou elimine as baterias de forma responsável e em conformidade com todas as normas e os regulamentos aplicáveis (locais, estatais, do país, federais, etc.).** Se a bateria for eliminada de modo incorrecto pode prejudicar o ambiente.
- **Não abra a tampa ou a caixa. No interior não existem quaisquer peças que possam ser reparadas pelo utilizador.** Podem ocorrer choques eléctricos ou outras lesões pessoais.

Especificações do Produto: Bateria

Modelos	Química	Tensão (V)	Capacidade (Ah)	Peso lb (kg)
BL1203	lão Lítio	12	2.0	0.55 (0.25)
BL2012		20	2.5	0.90 (0.41)
BL2022			5.0	1.52 (0.69)
BL4011		40	2.5	

Temperaturas de Funcionamento

Pilhas recarregáveis têm um melhor desempenho quando são operadas a uma temperatura ambiente normal de 15 °C a 25 °C (59 °F a 77 °F). Uma bateria excessivamente quente ou fria pode impedir ou interromper o carregamento da bateria ou descarregá-la.

Peças e Manutenção

As etiquetas são as únicas Peças Substituíveis pelo utilizador.

Modelos	Etiqueta de Advertência
BL1203	BL12-99
BL2012	BL20-99-3 e BL2012-99-AP5
BL2022	BL20-99-4 e BL2022-99-AP5
BL4011	BL40-99 e BL4011-99-AP5

Para qualquer assunto, contacte o escritório ou o distribuidor da **Ingersoll Rand** mais próximo.

Informações Sobre as Peças do Produto

ATENÇÃO

- **A utilização de peças sobressalentes que não sejam peças sobressalentes originais da Ingersoll Rand pode colocar a segurança em perigo, reduzir o desempenho da ferramenta, aumentar a necessidade de manutenção e invalidar todas as garantias.**
- **As reparações só devem ser feitas por técnicos autorizados e com formação adequada. Consulte o centro de assistência técnica autorizado Ingersoll Rand mais próximo.**

Protecção do Ambiente

Quando a vida útil de um produto eléctrico da **Ingersoll Rand** chega ao fim, ele tem de ser reciclado de acordo com todas as normas e os regulamentos aplicáveis (locais, estaduais, nacionais, federais, etc.). Se a bateria for deitada fora de modo incorrecto pode prejudicar o ambiente.

Informações gerais

NOTA

As instruções originais estão redigidas na língua inglesa. E encontram-se traduzidas noutros idiomas. Pode transferir manuais do seguinte endereço da Internet: ingersollrand.com
Para qualquer assunto, contacte o escritório ou o distribuidor da **Ingersoll Rand** mais próximo.

Directrizes de segurança para o carregador de bateria

Utilização Prevista:

Um Carregador de Baterias é um dispositivo elétrico que converte corrente elétrica alterna na corrente elétrica contínua que é utilizada para carregar baterias recarregáveis. Este carregador de bateria foi concebido para carregar apenas baterias **Ingersoll Rand**.

AVISO

AVISO: Leia todos os avisos de segurança, instruções, ilustrações e especificações fornecidos com esta ferramenta elétrica. Se as instruções que se seguem não forem integralmente cumpridas, podem ocorrer choques elétricos, incêndios e/ou lesões graves.

Regras Gerais de Segurança

- **Compete-lhe a si a responsabilidade pela disponibilização destas informações de segurança a todas as pessoas que venham a utilizar este produto.** O incumprimento das normas e dos regulamentos pode dar azo a lesões pessoais.
- **Instale, utilize, inspeccione e mantenha sempre este produto de acordo com todas as normas e regulamentos aplicáveis (locais, estaduais, nacionais, federais, etc.).** Compete-lhe a si a responsabilidade pelo cumprimento destas normas e destes regulamentos. O incumprimento das normas e dos regulamentos pode dar azo a lesões pessoais.
- **Este aparelho não pode ser utilizado por crianças a partir dos 8 anos de idade e por pessoas com capacidades físicas, sensoriais ou mentais reduzidas ou falta de experiência e conhecimento, desde que sejam supervisionadas, ou que recebam instruções sobre a utilização do Aparelho de maneira segura e que compreendam os riscos inerentes. As crianças não devem brincar com este Aparelho. A limpeza e manutenção por parte do utilizador não deverão ser feitas por crianças sem supervisão.**

Segurança do trabalho área

- **Não utilize o carregador de baterias em atmosferas explosivas, como, por exemplo, em presença de líquidos, gases ou poeiras inflamáveis.** Os carregadores de baterias podem produzir faíscas que podem incendiar poeiras ou gases.

Segurança Elétrica

- **Os produtos com duplo isolamento estão equipados com uma plugue polarizada (um pino é mais largo do que o outro.) Esta plugue só pode ser introduzida numa tomada polarizada numa posição. Se a plugue não entrar completamente na tomada, vire-a ao contrário. Se mesmo assim não entrar, entre em contacto com um técnico electricista para instalar uma tomada polarizada. Não altere a plugue de nenhuma forma.** O duplo isolamento elimina a necessidade de um cabo de terra de três fios e um sistema de alimentação ligado à terra.
- **Certifique-se sempre de que não usa indevidamente o cabo. Nunca utilize o cabo da ferramenta mecânica para a transportar, para a puxar nem para a desligar da tomada, puxando por ele. Mantenha os cabos afastados do calor, do óleo, de arestas afiadas ou de componentes rotativos.** Os cabos danificados ou emaranhados aumentam o risco de choque elétrico.
- **Um produto accionado por bateria, com baterias incorporadas ou com um conjunto de baterias separado, só pode ser recarregado utilizando o carregador especificado para a bateria.** Um carregador que é adequado para um tipo de bateria pode causar riscos de incêndio quando é utilizado com outra bateria.
- **O carregador foi concebido exclusivamente para uma utilização no interior. Não exponha o carregador à chuva. Não utilize o carregador em locais molhados ou húmidos.** Podem ocorrer choques elétricos ou outras lesões pessoais.
- **Utilize sempre a tensão de alimentação especificada.** Uma tensão incorrecta pode dar origem a choques elétricos, incêndios, funcionamento irregular e lesões pessoais.
- **Evite o contato dos terminais de carregamento das baterias com os dedos, fios ou outro material condutor. Ligue este carregador exclusivamente a baterias da Ingersoll Rand aprovadas.** Se não o fizer, podem ocorrer choques elétricos ou outras lesões pessoais.
- **Não tente recarregar baterias não recarregáveis.** Se o fizer, poderão ocorrer choques elétricos, incêndios ou lesões pessoais.

Segurança Pessoal

- **Nunca modifique este produto, nem os dispositivos de protecção e segurança ou os acessórios.** As modificações não autorizadas podem dar origem a choques elétricos, incêndios ou lesões pessoais.
- **Nunca utilize este produto para fins diferentes daqueles para que é recomendado.** Se o fizer, poderão ocorrer choques elétricos, incêndios ou lesões pessoais.
- **Coloque o carregador numa posição estável antes de o ligar a uma fonte de alimentação. Mantenha o carregador fora do alcance das crianças.** Uma localização incorrecta ou uma utilização incorrecta por parte de crianças pode dar origem a choques elétricos, incêndios ou lesões pessoais.

Utilização e Manutenção

- **Nunca utilize um carregador danificado ou que não esteja a funcionar nas devidas condições. Desligue imediatamente o carregador e proceda à respectiva reparação ou substituição.** A utilização continuada pode dar origem a choques elétricos, incêndios ou lesões pessoais.
- **Nunca remova quaisquer etiquetas. Substitua sempre as etiquetas danificadas.** As etiquetas contêm informações necessárias à utilização segura do produto.

Assistência

- **O carregador só pode ser reparado ou mantido por um Centro de Assistência Técnica Autorizado da Ingersoll Rand ou por um técnico similarmente qualificado.** Uma assistência ou manutenção realizada por pessoal não qualificado pode dar azo a riscos ou a lesões.
- **Não abra a tampa ou a caixa. No interior não existem quaisquer peças que possam ser reparadas pelo utilizador.** Se o fizer, podem ocorrer choques elétricos ou outras lesões pessoais.
- **Se o cabo de alimentação estiver danificado, tem de ser substituído por um Centro de Assistência Técnica Autorizado da Ingersoll Rand ou por um técnico similarmente qualificado.** Os cabos danificados e incorrectamente instalados aumentam o risco de choque elétrico.

Informações de Segurança do Produto

AVISO

Instruções de segurança importantes - Guarde estas instruções.

PERIGO

Para reduzir os riscos de incêndio ou de choque eléctrico, cumpra estas instruções com cuidado.

AVISO

- Use apenas carregadores Ingersoll Rand com baterias Ingersoll Rand da Série Li-Ion IQV12, IQV20, e IQV40. A utilização de outras baterias ou de outros carregadores pode dar azo a risco de incêndio ou pode provocar o reventamento da bateria quando está a ser carregada. Podem ocorrer lesões pessoais ou danos materiais.
- O carregador de baterias não pode ser reparado pelo utilizador. A sua reparação só deve ser levada a cabo por um Centro de Assistência Técnica Autorizado da Ingersoll Rand. Uma reparação efectuada pelo utilizador pode dar origem a choques eléctricos, incêndios e/ou lesões pessoais graves.
- O BC1110 é um produto de Classe A. Num ambiente residencial, comercial ou pouco industrial poderá provocar interferências de rádio. Este produto não se destina a ser instalado num ambiente residencial; num ambiente comercial e pouco industrial com ligação eléctrica pública, o utilizador poderá ter de tomar medidas para reduzir a interferência.
- Este produto não está destinado para ser usado por viajantes.

Informações Sobre as Peças do Produto

ATENÇÃO

- A utilização de peças sobressalentes que não sejam peças sobressalentes originais da Ingersoll Rand pode colocar a segurança em perigo, reduzir o desempenho da ferramenta, aumentar a necessidade de manutenção e invalidar todas as garantias.
- As reparações só devem ser feitas por técnicos autorizados e com formação adequada. Consulte o centro de assistência técnica autorizado Ingersoll Rand mais próximo.

Especificações do Produto: Carregador de baterias

Modelos	BC1110	BC1124	BC1221	BC1221-EU	BC1161
Entrada do carregador	100-240 V AC ~ 50-60 Hz, 30 W, 50-70 VA	100-240 V AC ~ 50-60 Hz, 100 W, 160-215 VA	100-240 V AC ~ 50-60 Hz, 200 W, 320-395 VA	220-240 V AC ~ 50-60 Hz, 200 W, 340 VA	100-240 V AC ~ 50-60 Hz, 100 W, 160-215 VA
Saída do carregador	12.6 V DC, 2.0 A	12 V DC 2.0 A/ 20 V DC 4.0 A	12.6 V DC, 2.0 A (x2) 21 V DC, 4.0 A (x2)		42 V DC, 2.0 A
Modelos de baterias	BL1203 (2.0 Ah)	BL1203 (2.0 Ah), BL2012 (2.5 Ah) e BL2022 (5.0 Ah)			BL4011 (2.5 Ah)
Saída USB	USB Type A, 5 V DC, 500 mA, D+/D- Ligado, 200 Ω	N/A	USB Type A, 5 V DC, 500 mA, D+/D- Ligado, 200 Ω		

Instruções de Carregamento da Bateria

O carregador deve ser instalado próximo de uma tomada que seja facilmente acessível.

Nunca carregue o conjunto de baterias quando a temperatura for inferior a 0 °C (32 °F) ou superior a 45 °C (113 °F).

Carregue completamente os conjuntos de baterias novos antes de os utilizar pela primeira vez. **A bateria demora cerca de 60-90 minutos a ficar carregada.** Desligue o carregador e retire a bateria quando não estiverem em uso.

O carregador de compartimento duplo é capaz de carregar de forma independente e simultânea baterias de 12 V e 20 V.

Acção	Condição	BC1110		BC1124, BC1161, BC1221, e BC1221-EU			
		Visor do Carregador		Visor do Carregador		Alarme (Som)	Indicador de Carga
		Verde	Vermelho	Verde	Vermelho		
Ligue o carregador a uma tomada de CA.	Ligado (em stand-by)	1 x *	1 x *	●	○	---	○○○○
Inserir o conjunto de bateria no carregador.	A carregar. O indicador de carga indica o estado da carga.	*	○	●	○	---	*○○○ ↳
	Falha de comunicação. Identificação Bateria / Ler a Falha Reinsrer a Bateria. A bateria pode estar com defeito.	○	●	○	●	Baixo ♪	○○○○
	Temperatura inicial. Carregamento interrompido até a bateria ter atingido uma temperatura segura.	○	2 x *	○	2 x *	Baixo ♪	○○○○
	Tempo de carregamento esgotado. O tempo definido para o carregamento esgotou-se. A bateria pode estar defeituosa.	○	3 x *	○	3 x *	Baixo ♪	○○○○
	Temperatura durante o ciclo. Carregamento interrompido até a bateria ter atingido uma temperatura segura.	○	4 x *	○	4 x *	Baixo ♪	○○○○
	Sobretensão. Foi detectada uma tensão alta. A bateria pode estar defeituosa.	○	5 x *	○	5 x *	Baixo ♪	○○○○
	Sobrecorrente. Foi detectada uma corrente alta. A bateria pode estar defeituosa.	○	6 x *	○	6 x *	Baixo ♪	○○○○
Remover o conjunto de baterias.	Carregamento concluído.	●	○	●	○	Elevado ♪	●●●●
	Bateria de pilhas removida.	1 x *	1 x *	●	○	Elevado ♪	---

Legenda: * A piscar ● Aceso ○ Apagado

Manutenção de Rotina

Desligue o carregador antes de limpar. As superfícies plásticas devem ser limpas apenas com um pano ligeiramente húmido. Mantenha as aberturas de ventilação limpas, sem pó nem resíduos. Se o cabo de alimentação do carregador estiver danificado, o carregador não pode ser utilizado. Cabos e etiquetas de substituição estão disponíveis no Centro de Serviço da **Ingersoll Rand** autorizado, mais próximo.

Para qualquer assunto, contacte o escritório ou o distribuidor da **Ingersoll Rand** mais próximo.

Protecção do Ambiente

Quando a vida útil de um produto eléctrico da **Ingersoll Rand** chega ao fim, ele tem de ser reciclado de acordo com todas as normas e os regulamentos aplicáveis (locais, estaduais, nacionais, federais, etc.). Se a bateria for deitada fora de modo incorrecto pode prejudicar o ambiente.

Informações gerais

NOTA

As instruções originais estão redigidas na língua inglesa. E encontram-se traduzidas noutros idiomas.

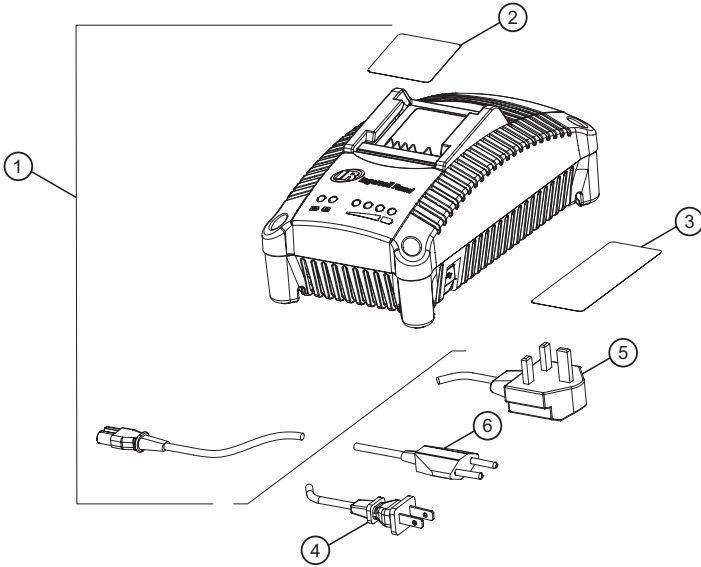
Pode transferir manuais do seguinte endereço da Internet: ingersollrand.com

Para qualquer assunto, contacte o escritório ou o distribuidor da **Ingersoll Rand** mais próximo.

Annex - Parts and Maintenance

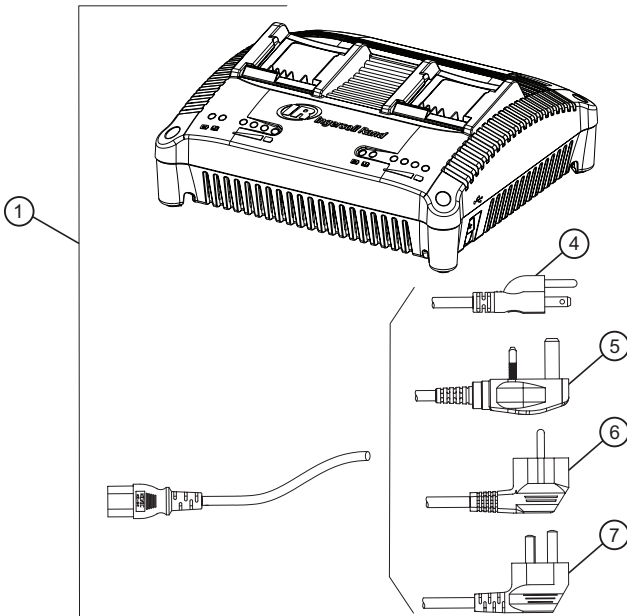
Intended for use by Authorized Service Technicians.

Battery Charger, BC1110, BC1124, and BC1161- Exploded View



(Dwg. 23792617-1)

Battery Charger, BC1221 and BC1221-EU - Exploded View



(Dwg. 23792617-2)

Battery Charger, BC1110, BC1124, BC1161, BC1221, and BC1221-EU - Parts List

Item	Part Description	Part Number (CCN)			
1	Battery Charger Kit (US, Canada and Mexico)	BC1110 (47499967001)	BC1124	BC1161 (47516658001)	BC1221
	Battery Charger Kit (EU and UK)	BC1110-EU (47499973001)	BC1124-EU	BC1161-EU (47516653001)	BC1221-EU
	Battery Charger Kit (China)	BC1110-AP1 (47499975001)	BC1124-CN	BC1161-AP1 (47516647001)	BC1221-CN
	Battery Charger Kit (India)	BC1110-AP2 (47499976001)	BC1124-IN	BC1161-AP2 (47516648001)	BC1221-IN
	Battery Charger Kit (Japan)	BC1110-AP3 (47499970001)	BC1124-JP	BC1161-AP3 (47516649001)	BC1221-JP
	Battery Charger Kit (Australia/New Zealand)	BC1110-AP4 (47499971001)	BC1124-ANZ	BC1161-AP4 (47516650001)	BC1221-ANZ
	Battery Charger Kit (South Korea)	BC1110-AP5 (47499972001)	BC1124-KR	BC1161-AP5 (47516651001)	BC1221-KR
	Battery Charger Kit (Singapore and Hong Kong)	BC1110-AP6 (47499974001)	BC1124-SHK	BC1161-AP6 (47516652001)	BC1221-SHK
	Battery Charger Kit (Argentina)	BC1110-SA1 (47499965001)	BC1124-SA	BC1161-SA1 (47516654001)	BC1221
	Battery Charger Kit (Brazil)	BC1110-SA2 (47499966001)	BC1124-BR	BC1161-SA2 (47516655001)	
Battery Charger Kit (Chile and Peru)	BC1110-SA3 (47503383001)	BC1124-SA3	BC1161-SA3 (47516656001)		
2	Label, Warning	BC1110-99 (24267023)	BC1121-99 (47516307001)	BC1161-99 (47516663001)	* BC121-99 (47516307001)
3	Label, Information (US, Canada, and Mexico)	BC1110-300 (24274615)	TL-BC1124-300	BC1161-300 (47516664001)	* BC1221-300
	Label, Information (EU and UK)	BC1110-300 (24274615)		BC1161-300 (47516664001)	* BC1221-EU-300
	Label, Information (Japan)	BC1110-AP3-300 (47502624001)	TL-BC1124-300JP	BC1161-AP3-300 (47516670001)	* BC1221-JP-300
	Label, Information (Korea)	BC1110-AP5-300 (47502625001)	TL-BC1124-300KR	BC1161-AP5-300 (47516671001)	* BC1221-KR-300
	Label, Information (Brazil)	BC1110-SA2-300 (47502626001)	TL-BC1124-300BR	BC1161-SA2-300 (47516672001)	BC1221-BR-300
4	Cord (US, Canada, and Mexico)	BC10-CORD-US (80233893)			BC1221-CORD-US
5	Cord (UK, Singapore and Hong Kong)	BC10-CORD-UK (80238256)			BC1221-CORD-UK
6	Cord (EU)	BC10-CORD-EU (80233919)			BC1221-CORD-EU
7	Cord (China)	* BC10-CORD-CN (45522687)			BC1221-CORD-CN
*8	Cord (India)	BC10-CORD-IN (45522505)			BC1221-CORD-IN
*9	Cord (Japan)	BC10-CORD-JP (45521952)			BC1221-CORD-JP
*10	Cord (Australia/New Zealand)	BC10-CORD-ANZ (45522547)			BC1221-CORD-ANZ
*11	Cord (South Korea)	BC1120-CORD-SK (24080871)			BC1221-CORD-KR
*12	Cord (Argentina)	BC10-CORD-AG (45522703)			BC1221-CORD-US
*13	Cord (Brazil)	BC1120-CORD-BR (24248924)			

* Indicates not illustrated.

